

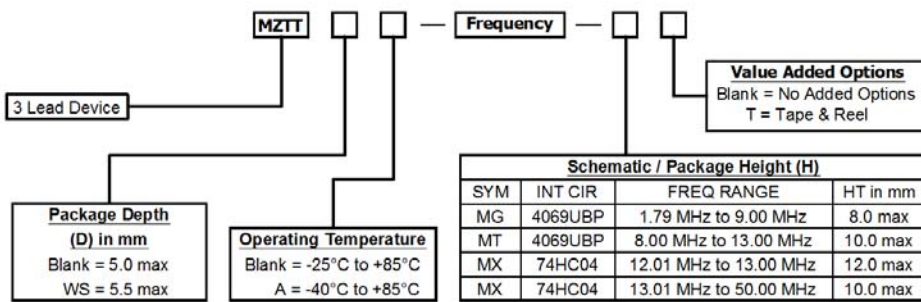
MZTT Series Ceramic Resonator



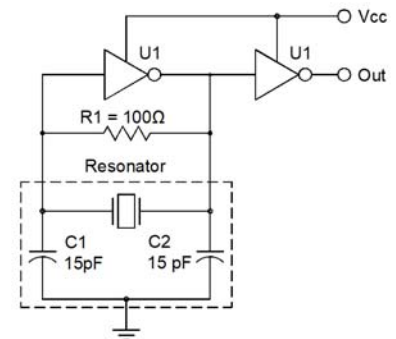
- 1.79MHz to 50.00MHz
- -40° to 85° Available

Part Number □□□ = MHz	Frequency Range in MHz	Frequency Accuracy at +25°C	Temperature Stability at -25°C to +85°C	Operating Temperature	Aging for 10 Years
MZTT□MG	1.79 to 8.00	±0.5%	±0.3%	See Part Numbering Guide	±0.3%
MZTTWS□MG	2.00 to 9.00	±0.5%	±0.3%	See Part Numbering Guide	±0.3%
MZTT□MT	8.01 to 13.00	±0.5%	±0.3%	See Part Numbering Guide	±0.3%
MZTT□MX	12.00 to 50.00	±0.5%	±0.3%	See Part Numbering Guide	±0.3%

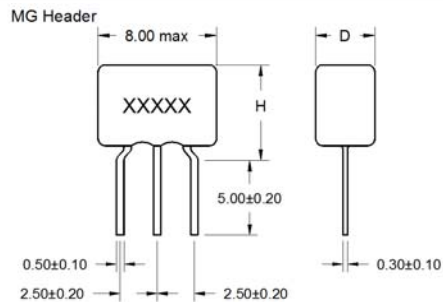
Part Number Guide



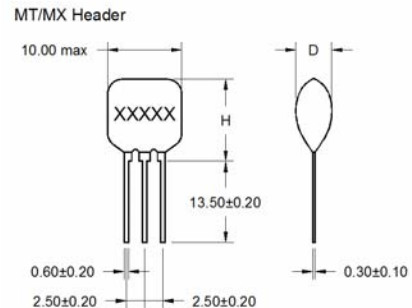
Schematic



Mechanical Dimensions



Drawings not to scale



QUALITY SYSTEM
CERTIFIED
= ISO 9001 =

ILSI America LLC – MMD Inc.
5458 Louie Lane, Reno, NV 89511
Tel: (775) 851-8880, Fax: (775) 851-8882
www.mmdcomp.com e-mail@ilsiamerica.com

Revision: 10/18/17 H