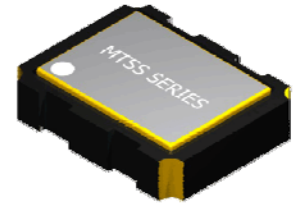


MTSS Series – 3.2 X 2.5 Ceramic SMD VCTCXO



- Low Profile SMD Device
- Hermetically Sealed
- Tight Stability Over Temperature
- Excellent Phase Noise



Frequency Range	14.400MHZ TO 32.768MHZ	
Frequency Stability vs Temperature*	(See Frequency Stability vs Temperature Table)	
Operating Temperature Range	(See Frequency Stability vs Temperature Table)	
Storage Temperature Range	-40°C to +85°C	
Aging	±1.0 per year	
Supply Voltage	2.50VDC to +2.80VDC	+3.00VDC to 3.30VDC
Supply Current	2mA max	
Output Type	Clipped Sinewave	
Output Level	0.8 Vp-p min	
Output Load	10k Ohms//10pF	
Control Voltage	Vc = +1.40VDC +0.40VDC to +2.40VDC	Vc = +1.5VDC +0.50VDC to +2.50VDC
Frequency Tuning Range	±8 ppm to ±15 ppm	
Phase Noise	100Hz	-115dBc/Hz
	1kHz	-135dBc/Hz
	10kHz	-145dBc/Hz

* Inclusive of Temperature., Load and Voltage

Environmental & Mechanical Detail

Shock	MIL-STD-883, Method 2002, Condition B
Solderability	MIL-STD-883, Method 2003
Solvent Resistance	MIL-STD-883, Method 215
Vibration	MIL-STD-883, Method 2007, Condition A
Gross Leak Test	MIL-STD-883, Method 1014, Condition C
Fine Leak Test	MIL-STD-883, Method 1014, Condition A-2

Marking Detail

First Line = MXX.X (not to exceed 5 characters)		
M	=	MMD
XX.X	=	Device Frequency (four digits including decimal point)
Second Line = SYWW (not to exceed 5 characters)		
S	=	Internal Code
YYWW	=	Date Code (Year/Week)

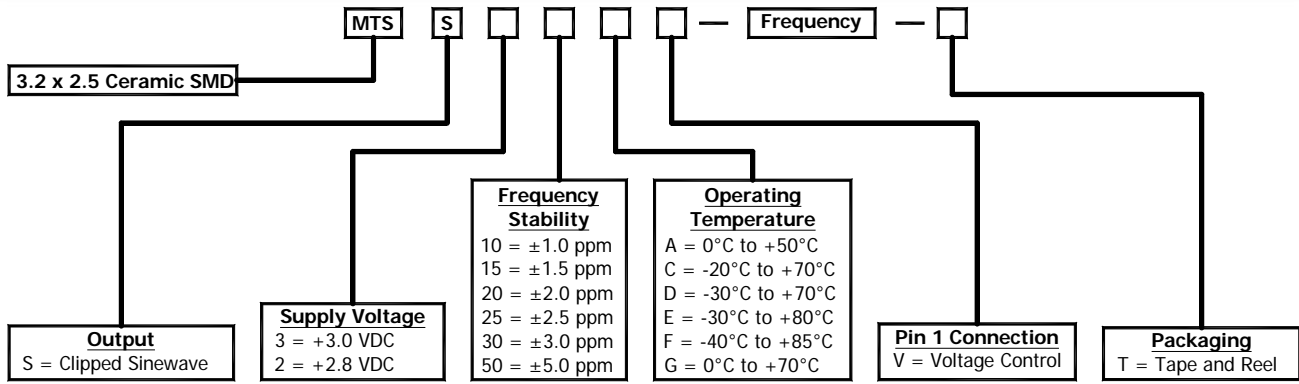


MMD MONITOR/QUARTZEK – An ILSI Company,
 5458 Louie Lane, Reno, NV 89511
 Phone: (775) 851-8880, www.mmdcomp.com



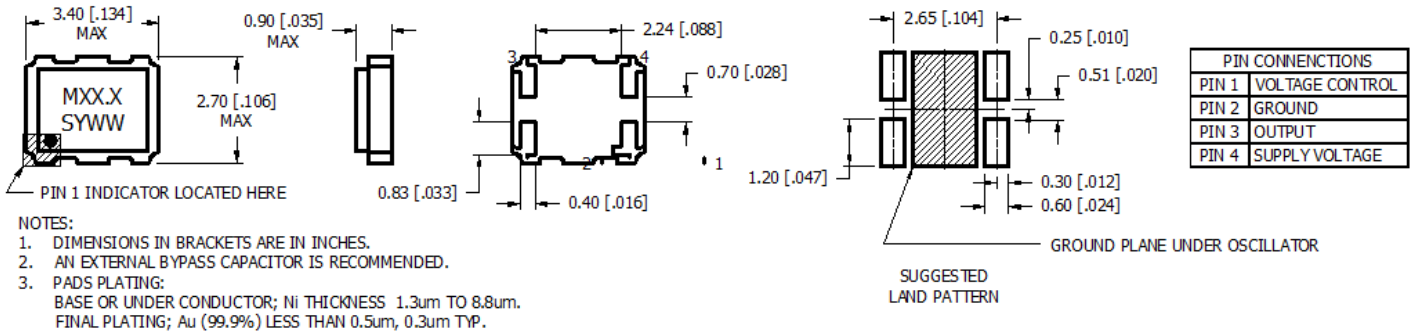
Revision:	07/31/13 K
-----------	------------

Part Number Guide

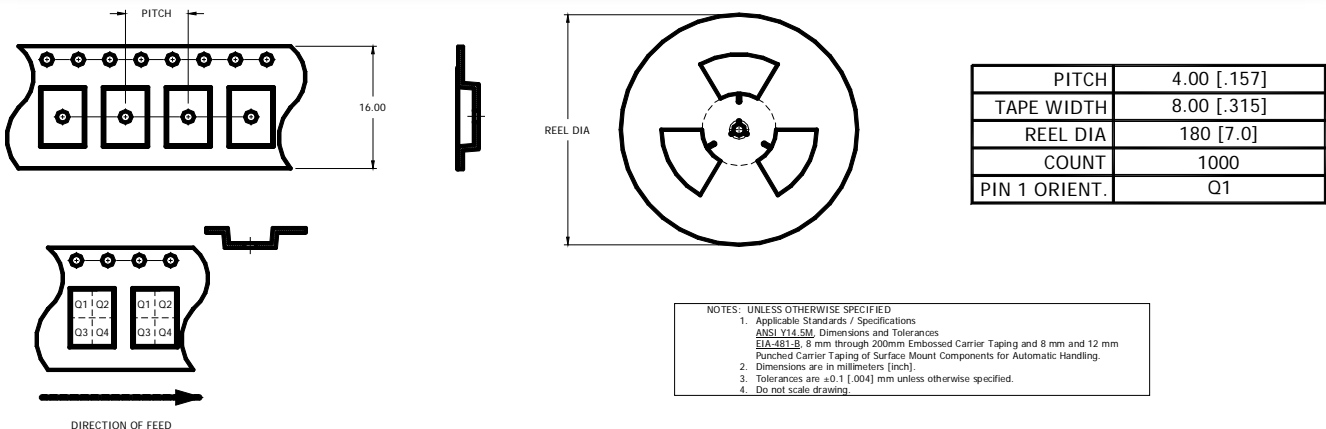


Please Consult with MMD Sales Department for any other Parameters or Options

Mechanical Details



Tape & Reel Dimensions



MMD MONITOR/QUARTZEK – An ILSI Company,
5458 Louie Lane, Reno, NV 89511
Phone: (775) 851-8880, www.mmdcomp.com



Revision: 07/31/13 K