

WC26G Series Crystal

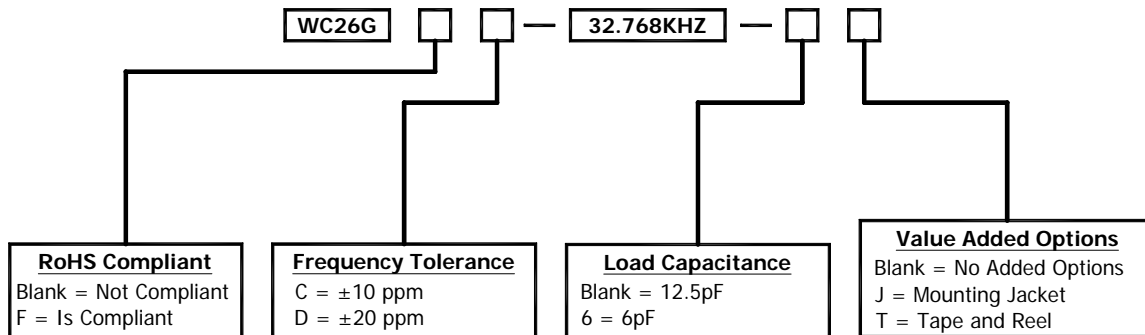


- SMD Tuning Fork Crystal
- Gull Wing Leads
- Optional Mounting Jacket
- RoHS Compliant



Frequency	32.768KHZ
Tolerance at +25°C	See Part Number Guide
Stability	-0.034 ±0.006 ppm / °C ²
Operating Temperature	-40°C to ±85°C
Storage Temperature	-55°C to ±125°C
Load Capacitance	See Part Number Guide
Shunt Capacitance	1.05pF Max
Equivalent Series Resistance	50k Ohms Max
Drive Level	1uW max
Aging	±3 ppm first year
Quality Factor	40000 typ

Part Number Guide



Please consult with MMD sales department for any other parameters or options.

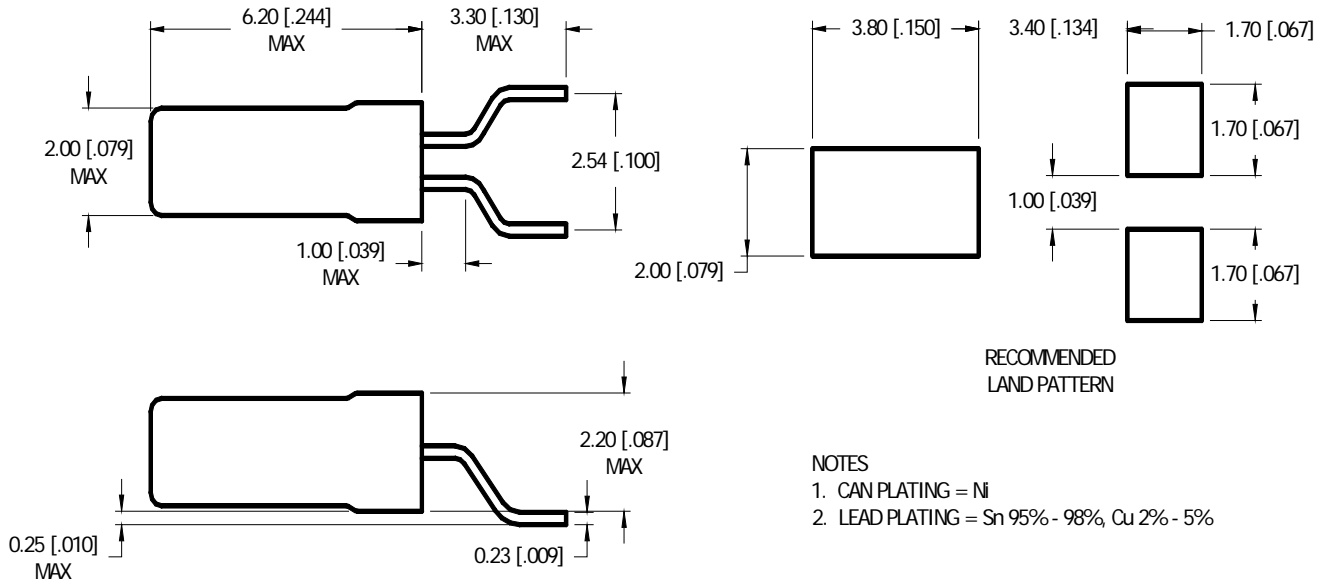


MMD Monitor/Quartztek
 30400 Esperanza, Rancho Santa Margarita, CA, 92688
 Phone: (949) 709-5075, Fax: (949) 709-3536, www.mmdcomp.com
 Sales@mmdcomp.com



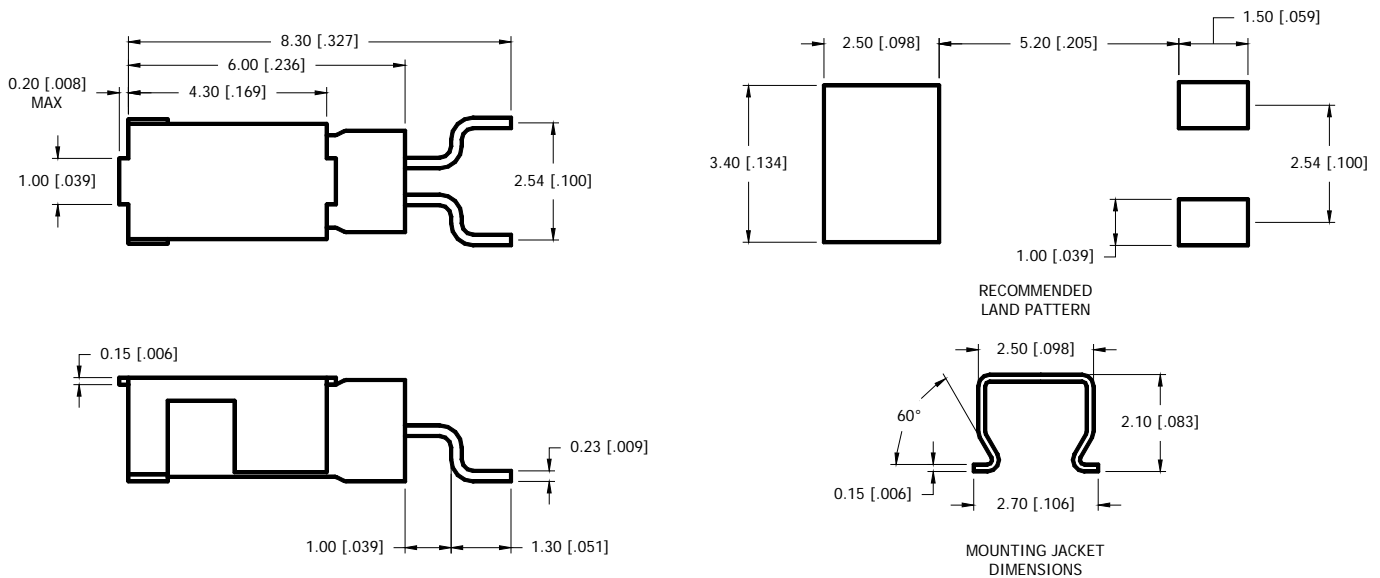
Revision: WC26G082812E

Mechanical Details



DIMENSION IN BRACKETS ARE IN INCHES

Mechanical Details with Mounting Bracket



DIMENSION IN BRACKETS ARE IN INCHES



MMD Monitor/Quartztek
 30400 Esperanza, Rancho Santa Margarita, CA, 92688
 Phone: (949) 709-5075, Fax: (949) 709-3536, www.mmdcomp.com
 Sales@mmdcomp.com



Revision:	WC26G082812E
-----------	--------------