

MVSC Series VCXO



- RoHS Compliant
- Hermetically Sealed
- 3.2 x 2.5 Ceramic SMD Package



Two output Frequency options	27.000MHz & 55.000MHz		
Frequency Stability *	(See Part Number Guide for Options)		
Frequency Pull Range	±100ppm min(STD), ±150ppm min (Option)		
Aging (+25°C ±3°C) Per Year	±3ppm max		
Supply Voltage (±10%)	+1.80 VDC	+2.50VDC	+3.30VDC
Supply Current	10mA max		
Pin 1 Control Voltage	0.9V ± 0.75V	1.25V ± 1.05V	1.65V ± 1.35V
Linearity	10% max		
Slope	Positive		
Output Type	CMOS		
Logic 0 Low Output	10% Vdd Max		
Logic 1 High Output	90%Vdd Min		
Symmetry (50% of waveform)	45% to 55%		
Rise/Fall Time (10% to 90% of Supply Voltage)	5nSec max		
Load Capacity	15pF		
Start-up Time	5mSec max		
Phase Jitter (12KHz—20 MHz)	1.0ps max		
Phase Period Jitter	2.5ps max		
Temperature Operating Range	(See Part Number Guide for Options)		
Temperature Storage Range	-55°C to +125°C		
*Inclusive of Temperature, Load and Voltage			

Environmental & Mechanical Detail

Shock	MIL-STD-883, Method 2002 Cond B
Solderability	MIL-STD-883, Method 2003
Solvent Resistance	MIL-STD-202, Method 215
Vibration	MIL-STD-883, Method 2007, Cond A
Gross Leak Test	MIL-STD-883, Method 1014, Cond C
Fine Leak Test	MIL-STD-883, Method 1014, Cond A2
MSL	Level 1 per IPC/JEDEC J-STD 20

Marking Detail

Line 1 = MXXXXX		
M	=	MMD
XXXXX	=	Frequency in MHZ
Line 2 = SYYWWL		
S	=	Internal Code
YYWW	=	4 Digit Date Code (Year / Week)
L	=	Denotes RoHS Compliant
Line 3 = XXXXX		
Internal use only		
May vary with lots		
Black dot to denote Pin 1		

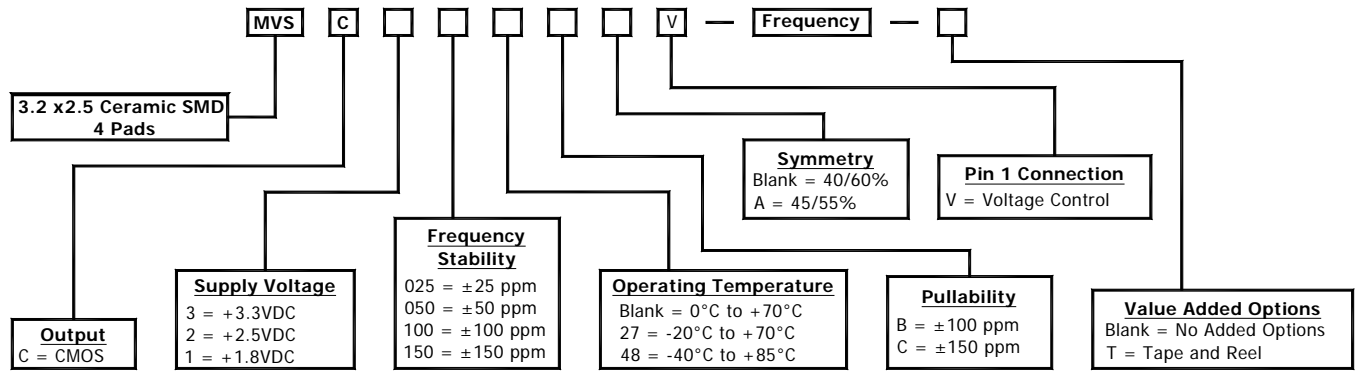


MMD Monitor/Quartztek
 30400 Esperanza, Rancho Santa Margarita, CA, 92688
 Phone: (949) 709-5075, Fax: (949) 709-3536, www.mmdcomp.com
 Sales@mmdcomp.com



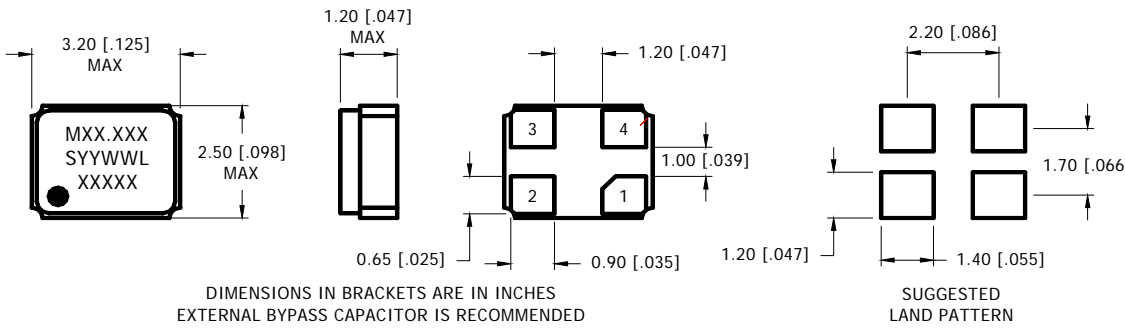
Revision: 03/25/11 B

Part Number Guide



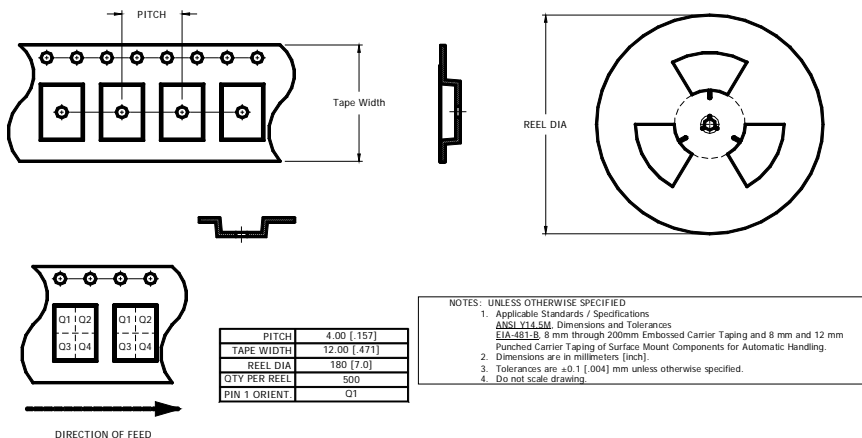
Please Consult with MMD Sales Department for any other Parameters or Options

Mechanical Details



PIN CONNECTIONS	
PIN 1	VOLTAGE CONTROL
PIN 2	CASE GROUND
PIN 3	OUTPUT
PIN 4	SUPPLY VOLTAGE

Tape & Reel Dimensions



MMD Monitor/Quartztek
 30400 Esperanza, Rancho Santa Margarita, CA, 92688
 Phone: (949) 709-5075, Fax: (949) 709-3536, www.mmdcomp.com
 Sales@mmdcomp.com



Revision: 03/25/11 B