

MVKH Series – HCMOS VCXO



- Surface Mount Package
- +2.5VDC, +3.3VDC, or +5.0VDC Supply Voltage
- HCMOS Output
- RoHS Compliant Available



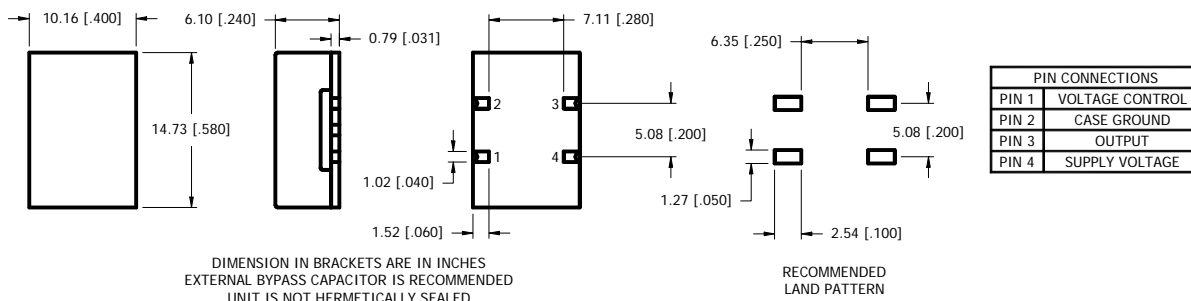
ELECTRICAL SPECIFICATIONS:

Supply Voltage (Vdd)	+2.5VDC ±10%	+3.3VDC ±10%	+5.0VDC ±10%
Frequency Range	1.544MHZ TO 180.000MHZ		1.544MHZ TO 50.000MHZ
Frequency Stability at +25°C	±10 ppm		
Frequency Stability (Inclusive of Temp., Load, Voltage and Aging)	(See Part Number Guide for Options)		
Operating Temp. Range	(See Part Number Guide for Options)		
Storage Temp. Range	-40°C to +85°C		
Supply Current	60mA max	60mA max	85mA max
Load	15pF	30pF	30pF
Output	HCMOS		
Logic "0"	10% Vdd max		
Logic "1"	90% Vdd min		
Symmetry (50% of waveform)	40%/60%		
Rise / Fall Time (10% to 90%)	10nSec max		
Start Time	10mSec max		
Control Voltage	1.25 VDC ±1.00 VDC	1.65 VDC ±1.50 VDC	2.50 VDC ±2.00 VDC
Linearity	(See Part Number Guide for Options)		
Pullability	(See Part Number Guide for Options)		

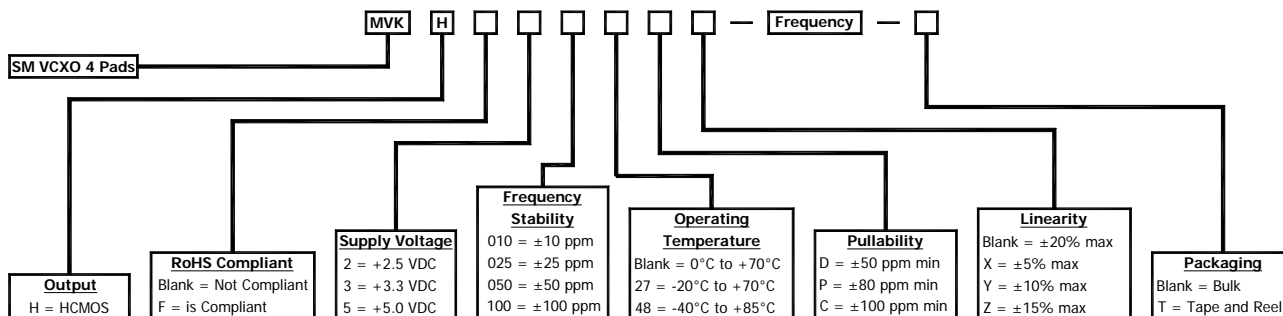
ENVIRONMENTAL/MECHANICAL SPECIFICATIONS:

Shock	MIL-STD-883, Meth 2002, Cond B
Solderability	MIL-STD-883, Meth 2003
Vibration	MIL-STD-883, Meth 2007, Cond A

MECHANICAL DIMENSIONS:



PART NUMBERING GUIDE:



Please Consult with MMD Sales Department for any other Parameters or Options

MMD Components, 30400 Esperanza, Rancho Santa Margarita, CA, 92688
Phone: (949) 709-5075, Fax: (949) 709-3536, www.mmdcomp.com
Sales@mmdcomp.com