

MOCH & MOCZ Series 1.5" Square, 5 Pin OCXO



- Oven Controlled Oscillator
- 500 KHz to 150.0 MHz Available
- SC Crystal
- -40°C to 85° Available
- ±5ppb to ±500ppb



Frequency Range		500.0KHz to150.0MHz	
Frequency Stability		±5ppb to ±500ppb	
Operating Temperature		-40°C to 85°C max*	
* All stabilities not available, please consult MMD for availability.			
Storage Temperature		-40°C to 95°C	
Output	Sine wave	±3 dBm 50Ω	
	HCMOS	10% Vdd max 90% Vdd min 30pF	
Supply Voltage (Vdd)		5.0V	12.0V
Supply Current	typ	85mA	70mA
	max	550mA	335mA
Warm-up Time		8min. @ 25°C	
Vc Input Impedance		100K Ohms typical	
Crystal		AT or SC Cut options	
Phase Noise @ 30MHZ		SC	AT
	100 Hz Offset	-125dBc	Call MMD
	1000 Hz Offset	-140dBc	Call MMD
	10K Hz Offset	-145dBc	Call MMD
Voltage Control 0 to VCC		±3ppm typ.	±10ppm typ.
Aging (after 30 days)		±0.1ppm/yr.	±1.0ppm/yr.

Environmental & Mechanical Detail

Shock	MIL-STD-883, Method 2002 Cond B
Solderability	MIL-STD-883, Method 2003
Solvent Resistance	MIL-STD-202, Method 215
Vibration	MIL-STD-883, Method 2007, Cond A
Gross Leak Test	MIL-STD-883, Method 1014, Cond C
Fine Leak Test	MIL-STD-883, Method 1014, Cond A2
MSL	Level 1 per IPC/JEDEC J-STD 20

Marking Detail

Line 1 = MXXXXX		
M	=	MMD
XXXXX	=	Frequency in MHZ
Line 2 = SYYWWL		
S	=	Internal Code
YYWW	=	4 Numerical Digit Date Code (Year / Week)
L	=	Denotes RoHS Compliant
Line 3 = XXXXX		
Internal use only		
May vary with lots		
Pin 1 Designator		

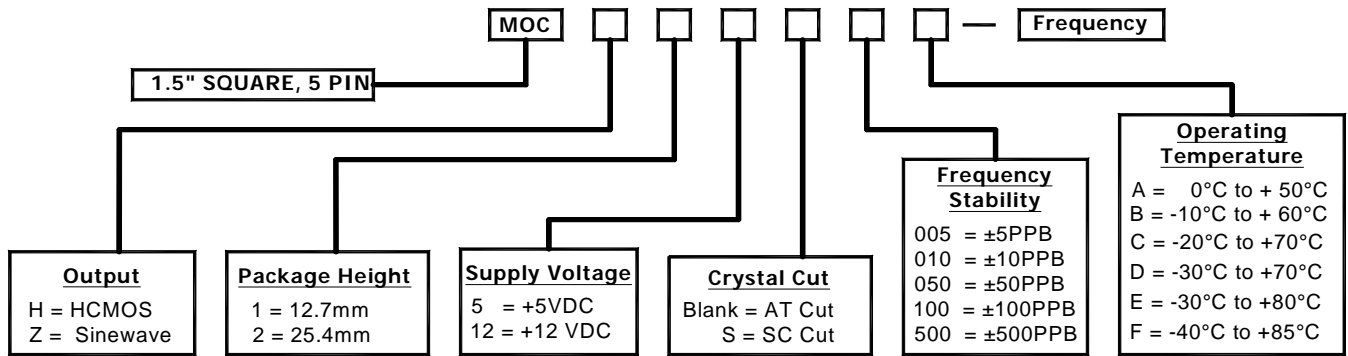


MMD Monitor/Quartztek
 30400 Esperanza, Rancho Santa Margarita, CA, 92688
 Phone: (949) 709-5075, Fax: (949) 709-3536, www.mmdcomp.com
 Sales@mmdcomp.com



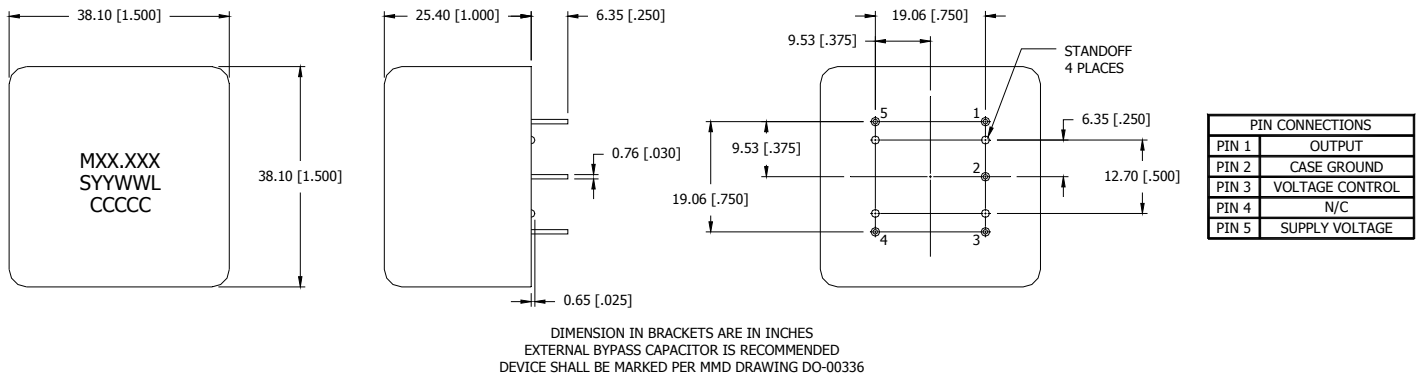
Revision: 07/26/11 F

Part Number Guide



Please Consult with MMD Sales Department for any other Parameters or Options

Mechanical Details



MMD Monitor/Quartztek
30400 Esperanza, Rancho Santa Margarita, CA, 92688
Phone: (949) 709-5075, Fax: (949) 709-3536, www.mmdcomp.com
Sales@mmdcomp.com



Revision: 07/26/11 F