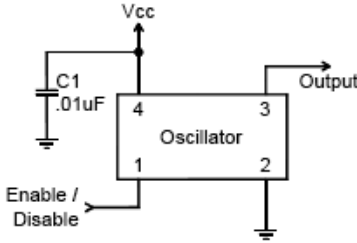
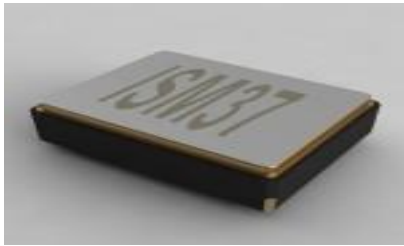
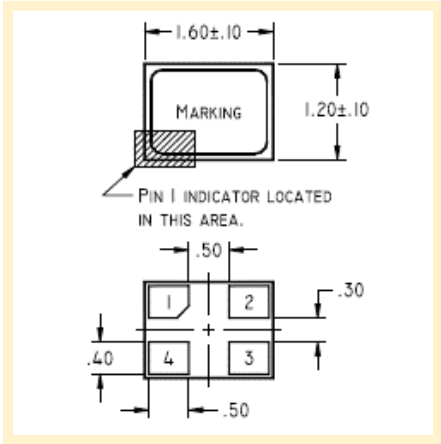




ILSI AMERICA-MMD LAUNCHES THE ISM37 ULTRA MINIATURE 1.2X1.6MM LOW CURRENT 32.768kHz RTC CMOS CLOCK OSCILLATOR



ISM37



- 1.2mm x 1.6mm x 0.7mm Ceramic 4-Pad SMD Package
- 32.768kHz RTC output frequency
- Supply voltages of 1.8Vdc, 2.5Vdc, and 3.3Vdc
- Frequency tolerance down to ±15ppm at 25°C
- Frequency stability down to ±15ppm
- Operating temperature range of -40°C to +85°C
- Operating current 40µA Maximum, Vcc=3.3Vdc, 15pF Load
- CMOS Output



About ILSI America LLC: Founded in 1987, ILSI America LLC has been a market leader in frequency control products for over 30 years. ILSI America LLC, parent company to MMD and Ecliptek LLC, provides turnkey supply chain management solutions and engineering support for our frequency control products for our OEM customers and worldwide distribution partners. Please visit our website at www.ilsiamerica.com www.mmdcomp.com www.ecliptek.com or please email us at e-mail@ilsiamerica.com.

GO TO WWW.ILSIAMERICA.COM AND CLICK ON THE OSCILLATORS ICON