

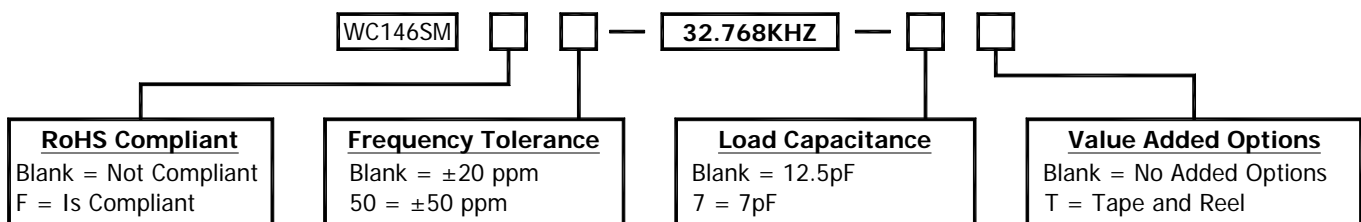
WC146SM Series Crystal



- Ultra Low Profile with 1.4mm Height max
- 32.768KHZ
- RoHS Compliant Available
- Ideal for use in space confined applications
- Tape and Reel Packaging

Frequency	32.768KHZ
Frequency Tolerance	±20ppm or ±50ppm
Turnover Temperature	+25°C ±5°C
Temperature Coefficient	-0.04 x 10 ⁻⁶ /°C ² Maximum
Load Capacitance	7.0pF or 12.5pF
Series Resistance	65K Ohms max
Maximum Drive Level	1.0 uWatt
Recommended Drive Level	0.1 uWatt
Shunt Capacitance	1.8pF typ
Aging	±3ppm for the first year
Operating Temperature	-40°C to +85°C
Storage Temperature	-55°C to +125°C
Moisture Sensitivity Level	1

Part Number Guide



Please consult with MMD sales department for any other parameters or options.

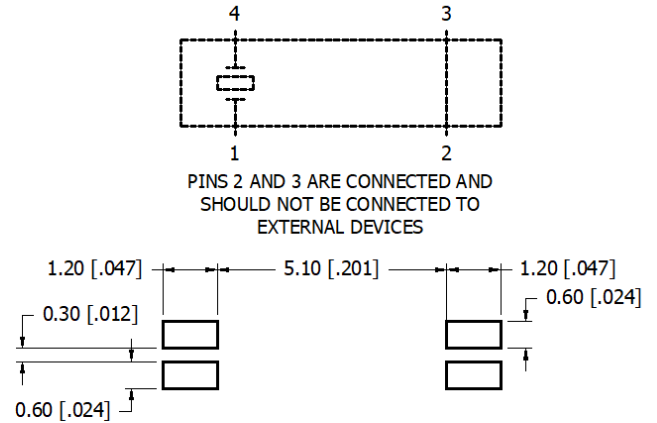
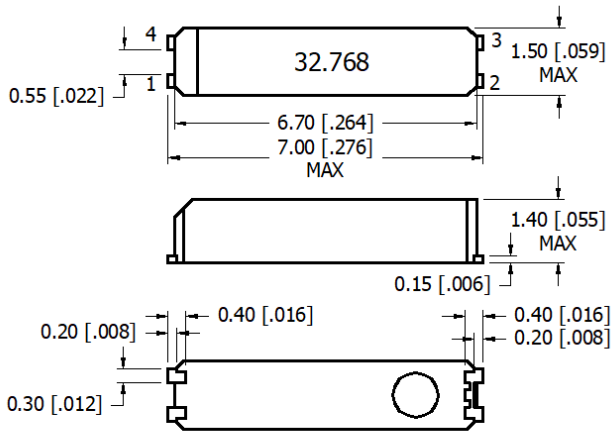
**QUALITY SYSTEM
CERTIFIED
= ISO 9001 =**

ILSI America LLC – MMD Inc.
5458 Louie Lane, Reno, NV 89511
Tel: (775) 851-8880, Fax: (775) 851-8882
www.mmdcomp.com [e-mail@ilsiamerica.com](mailto:email@ilsiamerica.com)



Revision: 09/06/17_I

Mechanical Details



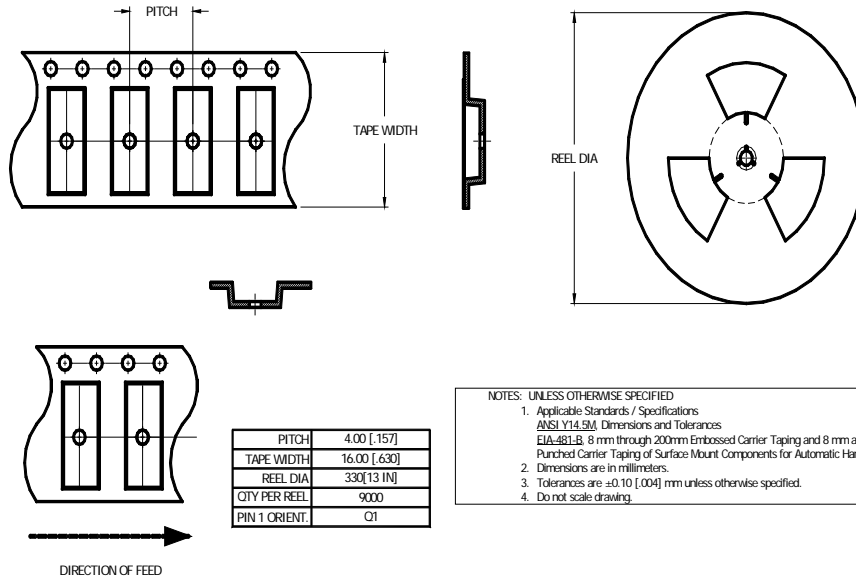
PINS 2 AND 3 ARE CONNECTED AND SHOULD NOT BE CONNECTED TO EXTERNAL DEVICES

RECOMMENDED LAND PATTERN

Marking:
Line 1 = 32.768

DIMENSIONS IN BRACKETS ARE IN INCHES.

Tape & Reel



QUALITY SYSTEM
CERTIFIED
= ISO 9001 =

ILSI America LLC – MMD Inc.
5458 Louie Lane, Reno, NV 89511
Tel: (775) 851-8880, Fax: (775) 851-8882
www.mmdcomp.com [e-mail@ilsiamerica.com](mailto:email@ilsiamerica.com)



Revision: 09/06/17_I