

MUV Series 5X3.2 Ceramic SMD Oscillator



- 5 x 3.2 SMD Package 6 Pin
- LVDS Output
- Tristate Option
- Tape & Reel Packaging Available



Frequency Range	74.250MHZ to 166.00MHZ	
Temperature Stability (Inclusive of Temperature, Load, Voltage, and Aging)	(See Part Number Guide for Options)	
Operating Temperature Range	(See Part Number Guide for Options)	
Storage Temperature Range	-55°C to +125°C	
Supply Voltage (V_{dd}) $\pm 5\%$	+2.50 VDC	+3.30 VDC
Supply Current	63mA max	65mA max
Output	LVDS	
Differential Output Voltage	+350mV typ.	
Offset Voltage	+1.250 V, +1.375V max	
Differential Output Error	50 mV max	
Offset Error	150 mV max	
Output Swing	250 mV min	
Symmetry (50% of waveform)	(See Part Number Guide for Options)	
Load	100 Ω Between Output and Complementary Output	
Rise/Fall Time (20% to 80%)	300pSec, 700pSec max	
RMS Phase Jitter (12kHz to 20MHZ)	1pSec max	
Phase Noise		
	10 Hz	-95dBc/Hz
	1 KHz	-125dBc/Hz
	10 KHz	-143dBc/Hz
	100 KHz	-146dBc/Hz
Start-up Time	10mSec max	
Tri-state Operation	Voh = 70% of Vdd min or No Connection to Enable Output Vol = 30% max or grounded to Disable Output (High Impedance)	
Standby Current	30 μ A max	

Mechanical & Environmental Detail

Shock	MIL-STD-883, Method 2002 Cond B
Solderability	MIL-STD-883, Method 2003
Solvent Resistance	MIL-STD-202, Method 215
Vibration	MIL-STD-883, Method 2007, Cond A
Gross Leak Test	MIL-STD-883, Method 1014, Cond C
Fine Leak Test	MIL-STD-883, Method 1014, Cond A2
MSL	Level 1 per IPC/JEDEC J-STD 20

Marking Detail

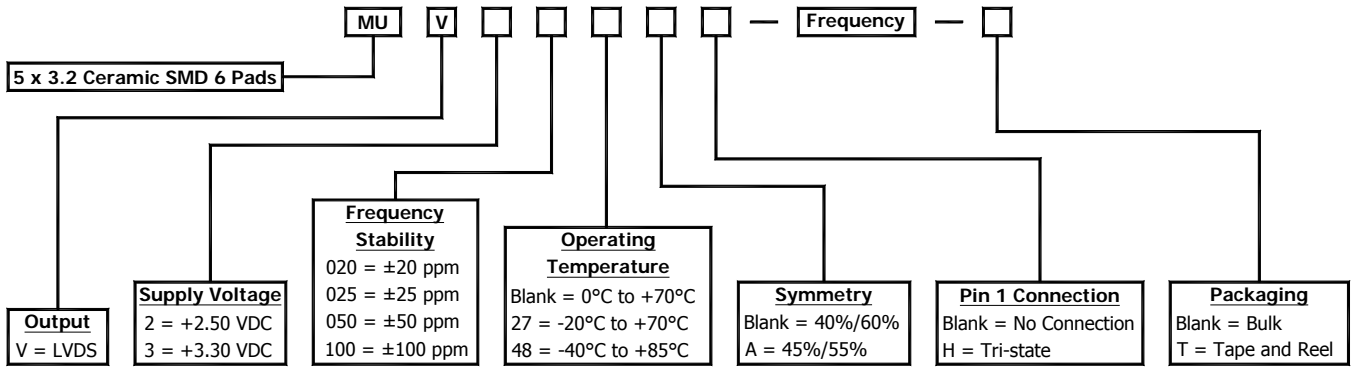
Line 1 = MXXXXX		
M	=	MMD
XXXXX	=	Frequency in MHZ
Line 2 = SYWWL		
S	=	Internal Code
YYWW	=	4 Digit Date Code (Year / Week)
L	=	Denotes RoHS Compliant
Line 3 = XXXXX		
Internal use only		
May vary with lots		
Black dot to denote Pin 1		

**QUALITY SYSTEM
CERTIFIED
= ISO 9001 =**

MMD Monitor/Quartztek
30400 Esperanza, Rancho Santa Margarita, CA, 92688
Phone: (949) 709-5075, Fax: (949) 709-3536, www.mmdcomp.com
Sales@mmdcomp.com

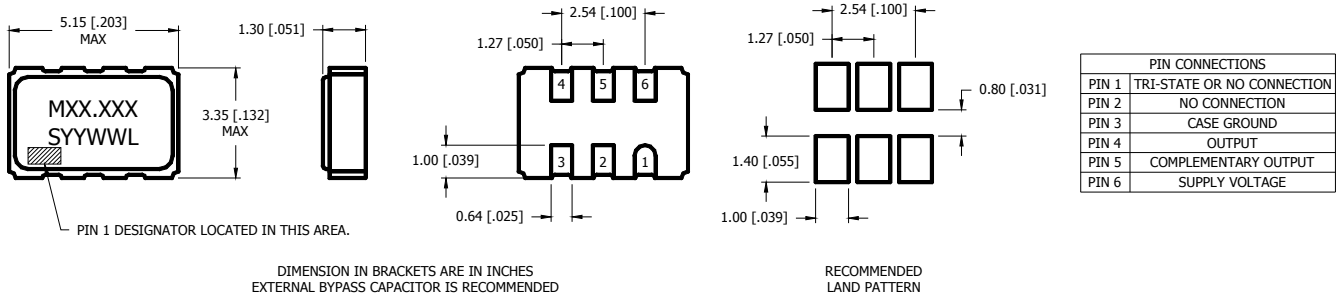


Part Number Guide



Please Consult with MMD Sales Department for any other Parameters or Options

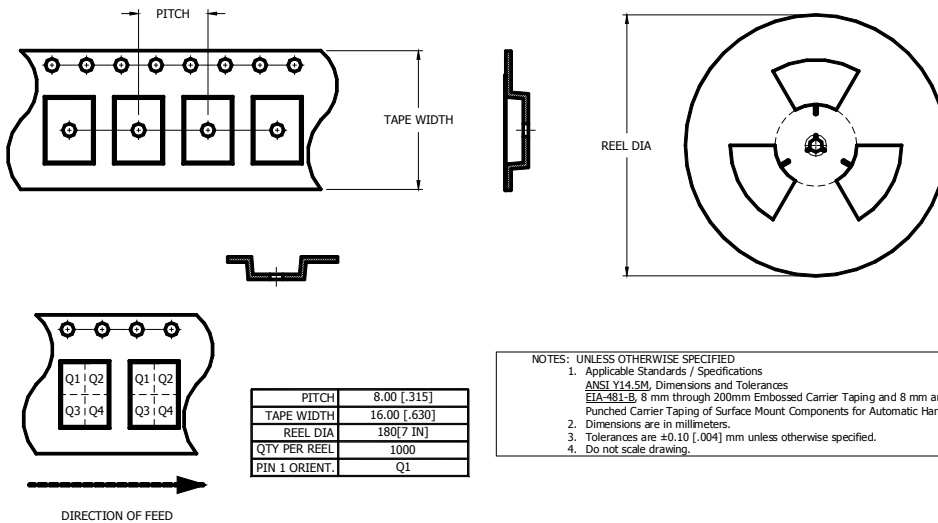
Mechanical Details



DIMENSION IN BRACKETS ARE IN INCHES
EXTERNAL BYPASS CAPACITOR IS RECOMMENDED

RECOMMENDED
LAND PATTERN

Tape & Reel Dimensions



NOTES: UNLESS OTHERWISE SPECIFIED

- Applicable Standards / Specifications
ANSI Y14.5M, Dimensions and Tolerances
EIA-481-B, 8 mm through 200mm Embossed Carrier Taping and 8 mm and 12 mm Punched Carrier Taping of Surface Mount Components for Automatic Handling.
- Dimensions are in millimeters.
- Tolerances are ±0.10 [0.004] mm unless otherwise specified.
- Do not scale drawing.

QUALITY SYSTEM
CERTIFIED
= ISO 9001 =

MMD Monitor/Quartztek
30400 Esperanza, Rancho Santa Margarita, CA, 92688
Phone: (949) 709-5075, Fax: (949) 709-3536, www.mmdcomp.com
Sales@mmdcomp.com

