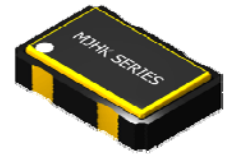


MJHK Series 3.2X5 Ceramic SMD Oscillator



- Low Profile SMD Package
- 32.768KHZ
- RoHS Compliant
- HCMOS Output



Frequency	32.768KHZ
Temperature Stability*	(See Part Number Guide for Options)
Operating Temperature Range	(See Part Number Guide for Options)
Storage Temperature Range	-55°C to +125°C
Aging (+25°C ±3°C)	±3ppm / year max at +25°C
Supply Voltage	(See Part Number Guide for Options)
Supply Current	7mA max
Waveform	HCMOS
Logic "0"	10% Vdd max
Logic "1"	90% Vdd min
Rise/Fall Time (10% to 90% of Supply Voltage)	0.2µs
Symmetry (50% of waveform)	40%/60%
Output Load	15pF or 10TTL
Start-up Time	28mSec max
Tri-State Operation	Voh = 70% of Vdd min to Enable Output Vol = 30% max or grounded to Disable Output (High Impedance)
Standby Power Consumption	10µA max
* Inclusive of Temperature., Load and Voltage	

Mechanical & Environmental Detail

Shock	MIL-STD-883, Method 2002 Cond B
Solderability	MIL-STD-883, Method 2003
Solvent Resistance	MIL-STD-202, Method 215
Vibration	MIL-STD-883, Method 2007, Cond A
Gross Leak Test	MIL-STD-883, Method 1014, Cond C
Fine Leak Test	MIL-STD-883, Method 1014, Cond A2
MSL	Level 1 per IPC/JEDEC J-STD 20

Marking Detail

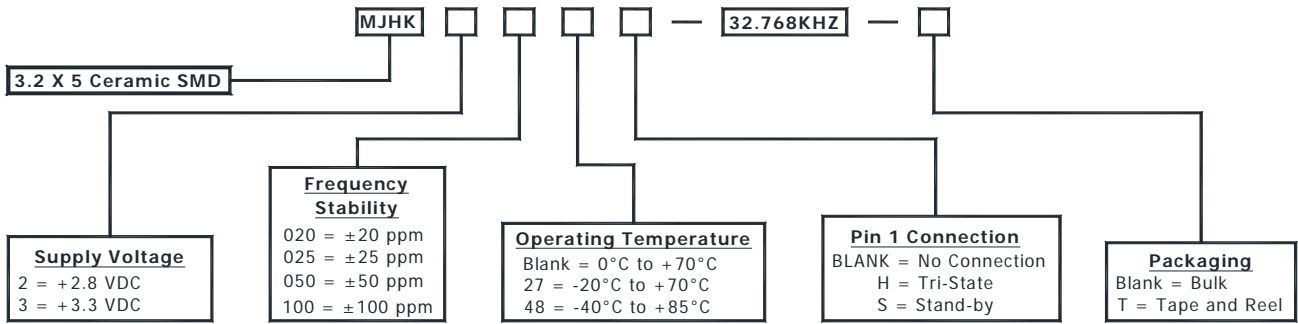
Line 1 = MXXXXX		
M	=	MMD
XXXXX	=	Frequency in MHZ
Line 2 = SYWWL		
S	=	Internal Code
YYWW	=	4 Digit Date Code (Year / Week)
L	=	Denotes RoHS Compliant
Line 3 = XXXXX		
Internal use only		
May vary with lots		
Black dot to denote Pin 1		



MMD Monitor/Quartztek
 30400 Esperanza, Rancho Santa Margarita, CA, 92688
 Phone: (949) 709-5075, Fax: (949) 709-3536, www.mmdcomp.com
 Sales@mmdcomp.com

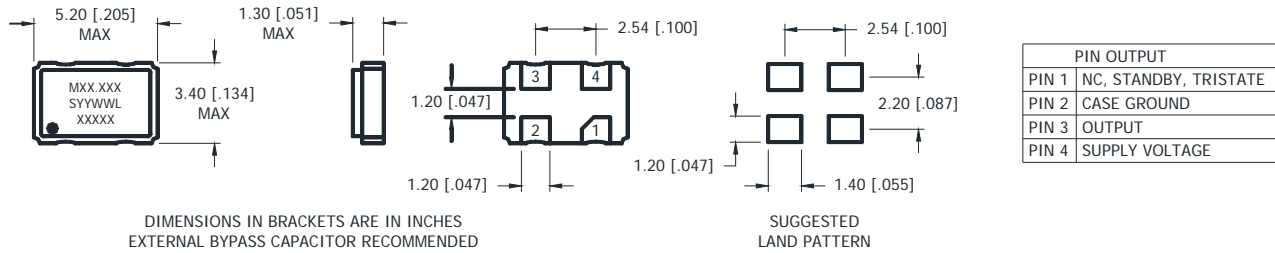


Part Number Guide

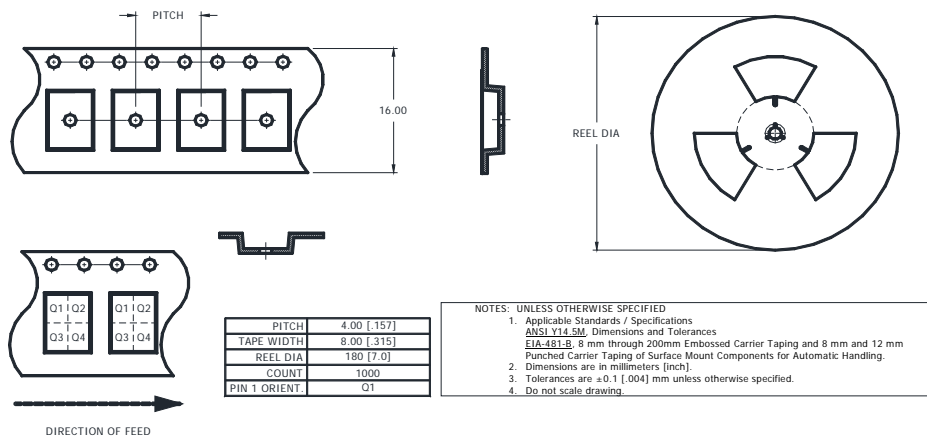


Please Consult with MMD Sales Department for any other Parameters or Options

Mechanical Details



Tape & Reel Dimensions



MMD Monitor/Quartztek
30400 Esperanza, Rancho Santa Margarita, CA, 92688
Phone: (949) 709-5075, Fax: (949) 709-3536, www.mmdcomp.com
Sales@mmdcomp.com

