

MTDS Series – 5 X 7 Ceramic SMD TCXO



- Low Profile SMD TCXO
- Clipped Sinewave Output
- RoHS Compliant
- Low Power Consumption



Frequency Range	10.000MHZ to 27.000MHZ	
Frequency Stability	(See Frequency Stability vs. Temperature in Part Marking Guide)	
vs. Temperature at $\pm 25^{\circ}\text{C} \pm 3^{\circ}\text{C}$	± 1.0 ppm	
vs. Load	± 0.2 ppm for $\pm 5\%$ change in load	
vs. Voltage	± 0.2 ppm for $\pm 5\%$ change in Supply	
vs. Time	± 1.0 ppm/year	
Operating Temperature Range	(See Operating Temperature)	
Storage Temperature Range	-40°C to $+85^{\circ}\text{C}$	
Output Type	Clipped Sinewave	
Supply Voltage	$+3.30$ VDC $\pm 5\%$	± 5.00 VDC $\pm 5\%$
Supply Current	2.0mA max	2.0mA max
Output Level	0.8 V _{p-p} min	1.0 V _{p-p} min
Output Load	10 k Ω // 10pF	10 k Ω // 10pF
Control Voltage Pin1 (optional)		
Control Voltage (Positive Slope)	$+1.65$ VDC ± 1.50 VDC	$+2.50$ VDC ± 2.00 VDC
Option Frequency Pull Range	± 10 ppm min	
Linearity	10% max	

Environmental & Mechanical Detail

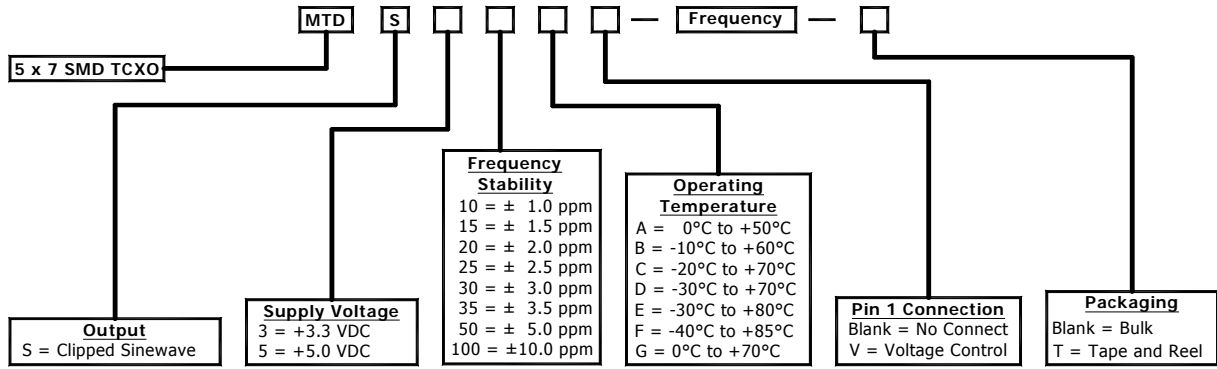
Marking Detail

Shock	MIL-STD-883, Method 2002, Condition B
Solderability	MIL-STD-883, Method 2003
Vibration	MIL-STD-883, Method 2007, Condition A

Line 1 = MXXXXX		
M	=	MMD
XXXXX	=	Frequency in MHZ
Line 2 = SYYWWL		
S	=	Internal Code
YYWW	=	4 Digit Date Code (Year / Week)
L	=	Denotes RoHS Compliant
Line 3 = XXXXX		
Internal use only		
May vary with lots		
Black dot to denote Pin 1		

	MMD Monitor/Quartztek 30400 Esperanza, Rancho Santa Margarita, CA, 92688 Phone: (949) 709-5075, Fax: (949) 709-3536, www.mmdcomp.com	
	Sales@mmdcomp.com	
Revisions only with customer approval	Page 1 of 2	Revision: 06/24/14 J

Part Number Guide



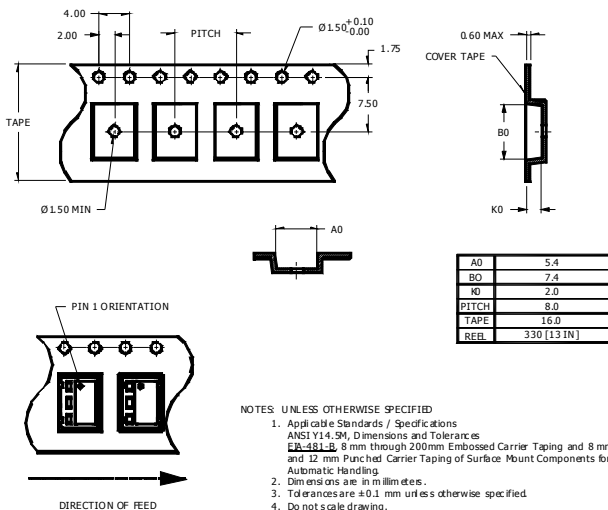
Please Consult with MMD Sales Department for any other Parameters or Options

Frequency Stability vs Temperature Table

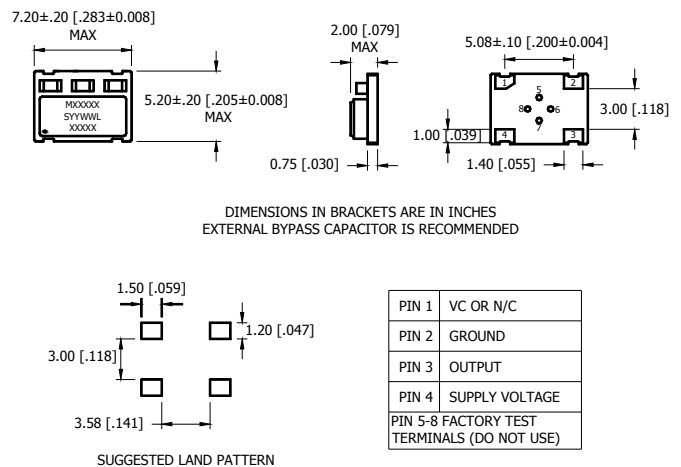
Code	Stability	10	15	20	25	30	35	50
	Temp	±1.0	±1.5ppm	±2.0ppm	±2.5ppm	±3.0ppm	±3.5ppm	±5.0ppm
A	0°C TO +50°C	•	•	•	•	•	•	•
G	0°C TO +70°C	•	•	•	•	•	•	•
B	-10°C TO +50°C	•	•	•	•	•	•	•
C	-20°C TO +70°C	•	•	•	•	•	•	•
D	-30°C TO +70°C			•	•	•	•	•
E	-30°C TO +80°C			•	•	•	•	•
F	-40°C TO +85°C			•	•	•	•	•

• = Available = Consult with the Manufacturer

Tape & Reel Dimensions



Mechanical Details



MMD Monitor/Quartztek
 30400 Esperanza, Rancho Santa Margarita, CA, 92688
 Phone: (949) 709-5075, Fax: (949) 709-3536, www.mmdcomp.com



Sales@mmdcomp.com