

MIL & MIV Series 5X7 Ceramic SMD Oscillator



- 5mm x 7mm 6 Pads Ceramic Package
- Negative Enable Available
- Wide Frequency Range
- LVPECL or LVDS Output



	LVPECL		LVDS	
Frequency	19.440 MHz to 1.000GHz			
Frequency Stability	(See Part Number Guide for Options)			
Aging	±3ppm First Year max			
Operating Temperature Range	(See Part Number Guide for Options)			
Storage Temperature Range	-55°C to +125°C			
Supply Voltage (Vdd)	+2.5 VDC ±5%	+3.3 VDC ±5%	+2.5 VDC ±5%	+3.3 VDC ±5%
Supply Current	65mA max	80mA max	45mA max	
Output Voltage Logic "0" (Vol)	Vdd - 1.620Vdc max		1.43V typ	
Output Voltage Logic "1" (Voh)	Vdd - 1.025Vdc min		1.10V typ	
Symmetry (at 50% of wave form)	(See Part Number Guide fro Options)			
Rise / Fall Time (20% to 80%)	1nSec max			
Phase Jitter	1pSec at 12KHz to 20.000MHZ			
Load Drive Capacity	50Ω		50Ω	
Enable / Disable Function	(See Part Number Guide for Options)			
Positive Enable / Disable	Voh = 70% of Vdd min to Enable Output Vol = 30% max or grounded to Disable Output (High Impedance)			
Negative Enable / Disable	Voh = 70% of Vdd min to Disable Output (High Impedance) Vol = 30% min or No Connect to Enable Output			

Mechanical & Environmental Detail

Shock	MIL-STD-883, Method 2002 Cond B
Solderability	MIL-STD-883, Method 2003
Solvent Resistance	MIL-STD-202, Method 215
Vibration	MIL-STD-883, Method 2007, Cond A
Gross Leak Test	MIL-STD-883, Method 1014, Cond C
Fine Leak Test	MIL-STD-883, Method 1014, Cond A2
MSL	Level 1 per IPC/JEDEC J-STD 20

Marking Detail

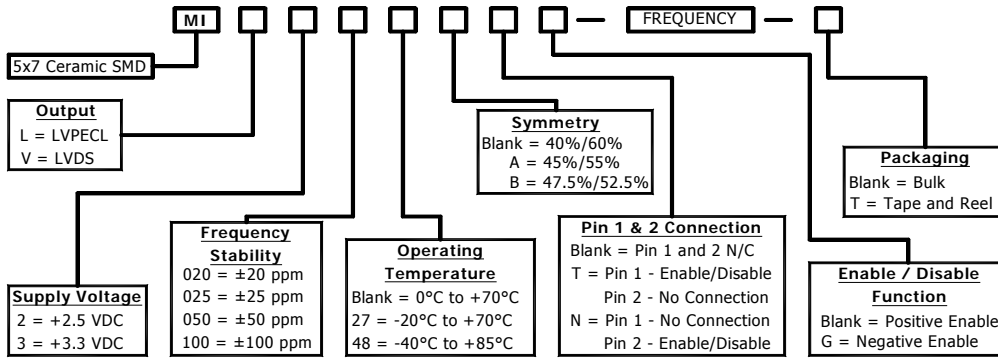
Line 1 = MXXXXX		
M	=	MMD
XXXXX	=	Frequency in MHZ
Line 2 = SYWWL		
S	=	Internal Code
YYWW	=	4 Digit Date Code (Year / Week)
L	=	Denotes RoHS Compliant
Line 3 = XXXXX		
Internal use only		
May vary with lots		
Black dot to denote Pin 1		



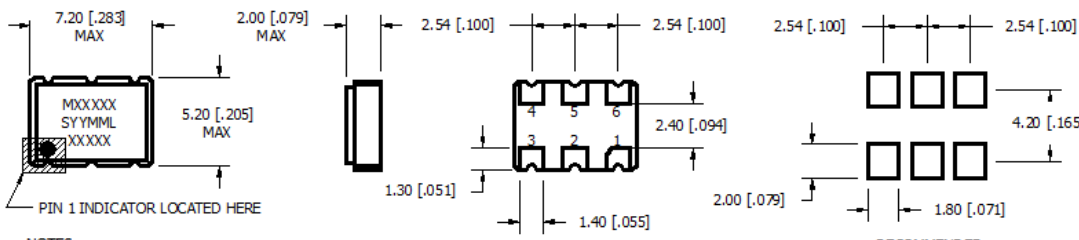
MMD MONITOR/QUARTZEK – An ILSI Company,
 5458 Louie Lane, Reno, NV 89511
 Phone: (775) 851-8880, www.mmdcomp.com



Part Number Guide



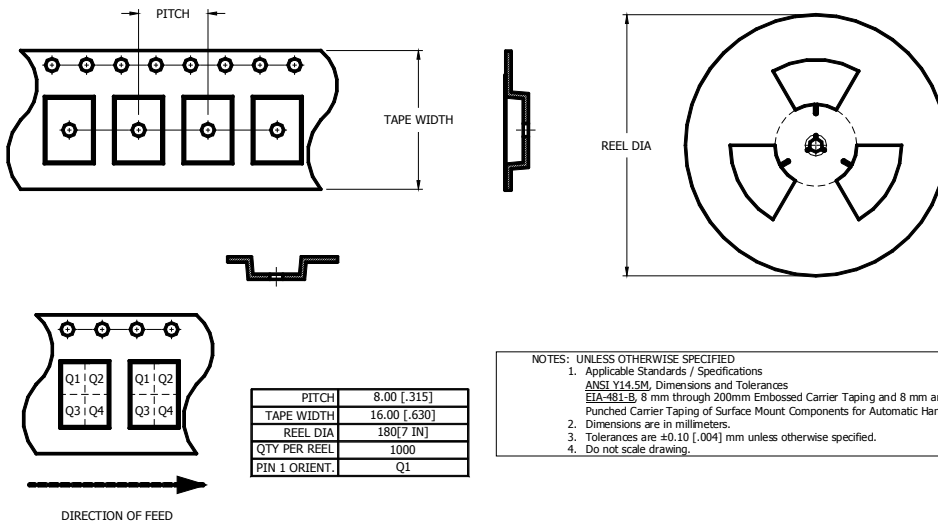
Please Consult with MMD Sales Department for any other Parameters or Options



PIN CONNECTIONS	
PIN 1	ENABLE/DISABLE OR NC
PIN 2	NC OR ENABLE/DISABLE
PIN 3	GROUND
PIN 4	OUTPUT
PIN 5	COMP OUTPUT
PIN 6	SUPPLY VOLTAGE

- NOTES:
- DIMENSIONS IN BRACKETS ARE IN INCHES.
 - AN EXTERNAL BYPASS CAPACITOR IS RECOMMENDED.
 - PADS PLATING:
BASE OR UNDER CONDUCTOR; Ni THICKNESS 0.5um TO 0.7um.
FINAL PLATING; Au (99.9%) LESS THAN 0.5um, 0.3um TYP.

Tape & Reel Dimensions



- NOTES: UNLESS OTHERWISE SPECIFIED
- Applicable Standards / Specifications
ANSI Y14.SM, Dimensions and Tolerances
EIA-481-B, 8 mm through 200mm Embossed Carrier Taping and 8 mm and 12 mm Punched Carrier Taping of Surface Mount Components for Automatic Handling.
 - Dimensions are in millimeters.
 - Tolerances are ±0.10 [.004] mm unless otherwise specified.
 - Do not scale drawing.



MMD MONITOR/QUARTZEK – An ILSI Company,
5458 Louie Lane, Reno, NV 89511
Phone: (775) 851-8880, www.mmdcomp.com

