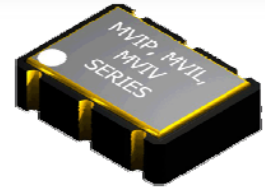


# MVIP, MVIL & MVIV Series VCXO



- MIL-STD-883 Level B Screening Available
- Available to -55°C to + 125°C Operating
- RoHS Compliant
- Less than 1 pSec Jitter



		LVDS	LVPECL	PECL
Frequency Range		70.000MHz to 800.000MHZ		
Frequency Stability*		(See Part Number Guide for Options)		
Operating Temp. Range		(See Part Number Guide for Options)		
Storage Temp. Range		-55°C to +125°C		
Aging		±5 ppm / yr max		
Logic "0"		1.43V typ	Vdd - 1.620 VDC max	Vdd - 1.620 VDC max
Logic "1"		1.10V typ	Vdd- 1.025 vdc min	Vdd- 1.025 vdc min
Supply Voltage (Vdd) Supply Current	+2.5VDC ± 5%	50 mA max	50 mA max	N/A
	+3.3VDC ± 5%	60 mA max	60 mA max	N/A
	+5.0VDC ± 5%	N/A	N/A	140 mA max
Symmetry (50% of waveform)		(See Part Number Guide for Options)		
Rise / Fall Time (20% to 80%)		2nSec max		
Load		50 Ohms into Vdd-2.00 VDC		
Start Time		10m Sec max		
Phase Jitter (12kHz to 20MHz)		Less than 1 pSec		
Tri-State Operation		Vih = 70% of Vdd min to Enable Output Vil = 30% max or grounded to Disable Output (High Impedance)		
* Inclusive of Temp., Load and Voltage				
Control Voltage (Vc)	+2.5VDC	1.25VDC ±1.00VDC	1.25VDC ±1.00VDC	N/A
	+3.3VDC	1.65VDC ±1.50VDC	1.65VDC ±1.50VDC	N/A
	+5.0VDC	N/A	N/A	2.50VDC ±2.00VDC
Pullability		(See Part Number Guide for Options)		
Linearity		(See Part Number Guide for Options)		

## Environmental & Mechanical Detail

Shock	MIL-STD-883, Method 2002 Cond B
Solderability	MIL-STD-883, Method 2003
Solvent Resistance	MIL-STD-202, Method 215
Vibration	MIL-STD-883, Method 2007, Cond A
Gross Leak Test	MIL-STD-883, Method 1014, Cond C
Fine Leak Test	MIL-STD-883, Method 1014, Cond A2
MSL	Level 1 per IPC/JEDEC J-STD 20

## Marking Detail

Line 1 = MXXXXX		
M	=	MMD
XXXXX	=	Frequency in MHZ
Line 2 = SYWWL		
S	=	Internal Code
YYWW	=	4 Numerical Digit Date Code (Year / Week) Jan 27 2011=1105
L	=	Denotes RoHS Compliant
Line 3 = XXXXX		
Internal use only		
May vary with lots		
Black dot to denote Pin 1		

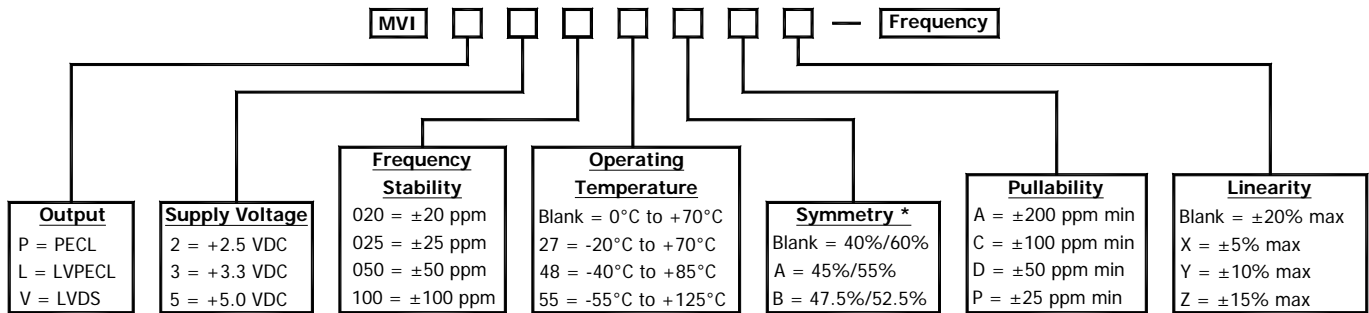


**MMD MONITOR/QUARTZEK – An ILSI Company,**  
 5458 Louie Lane, Reno, NV 89511  
 Phone: (775) 851-8880, [www.mmdcomp.com](http://www.mmdcomp.com)



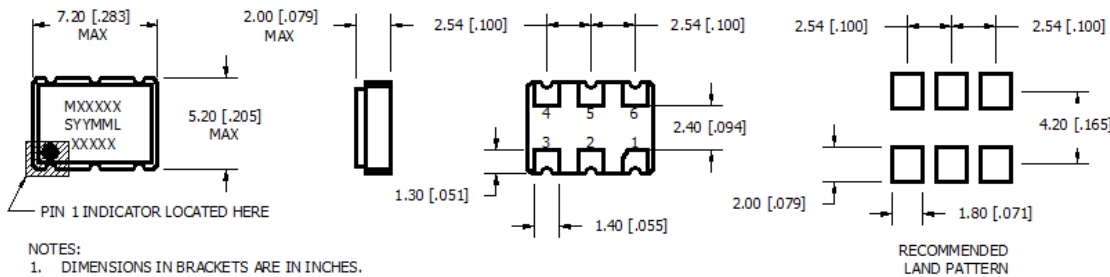
Revision: 07/31/13 D

# Part Number Guide



\*Option B (47.5/52.5%) Available up to 500MHZ only  
Please Consult with MMD Sales Department for any other Parameters or Options

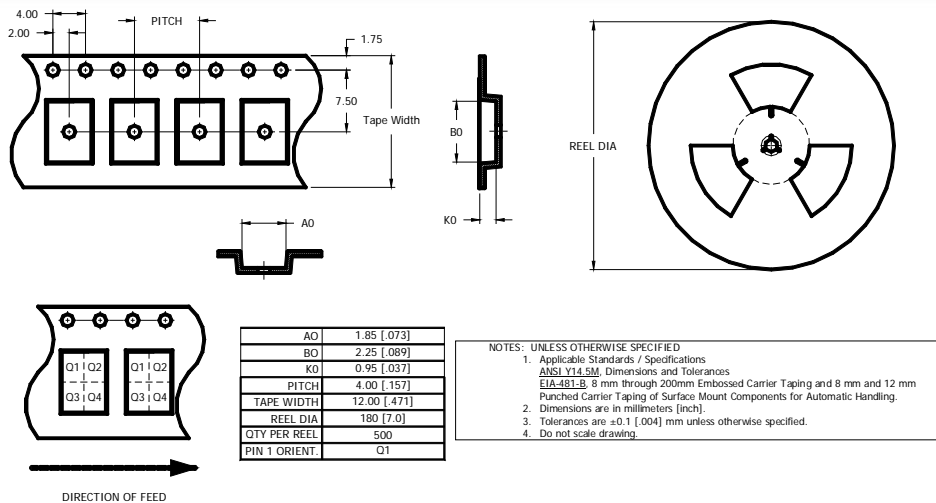
# Mechanical Details



PIN CONNECTIONS	
PIN 1	VOLTAGE CONTROL
PIN 2	ENABLE/DISABLE
PIN 3	GROUND
PIN 4	OUTPUT
PIN 5	COMP OUTPUT
PIN 6	SUPPLY VOLTAGE

- NOTES:  
1. DIMENSIONS IN BRACKETS ARE IN INCHES.  
2. AN EXTERNAL BYPASS CAPACITOR IS RECOMMENDED.  
3. PADS PLATING:  
BASE OR UNDER CONDUCTOR; Ni THICKNESS 1.3um TO 8.8um.  
FINAL PLATING; Au (99.9%) LESS THAN 0.5um, 0.3um TYP.

# Tape & Reel Dimensions



**MMD MONITOR/QUARTZEK – An ILSI Company,**  
5458 Louie Lane, Reno, NV 89511  
Phone: (775) 851-8880, [www.mmdcomp.com](http://www.mmdcomp.com)

