

MZTT Series Ceramic Resonator

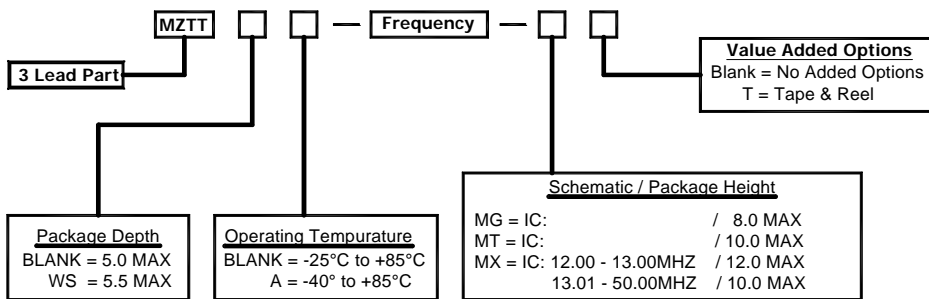


- 1.79MHz to 50.00MHz
- -40° to 85° Available



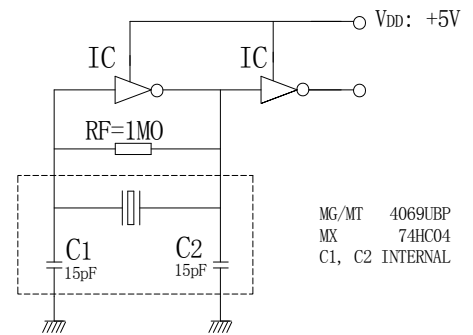
Part Number □□□ = MHz	Frequency Range in MHz	Frequency Accuracy at +25°C	Temperature Stability at -25°C to +85°C	Operating Temperature	Aging for 10 Years
MZTT□MG	1.79 to 8.00	±0.5%	±0.3%	See Part Numbering Guide	±0.3%
MZTTWS□MG	2.00 to 9.00	±0.5%	±0.3%	See Part Numbering Guide	±0.3%
MZTT□MT	8.01 to 13.00	±0.5%	±0.3%	See Part Numbering Guide	±0.3%
MZTT□MX	13.01 to 50.00	±0.5%	±0.3%	See Part Numbering Guide	±0.3%

Part Number Guide

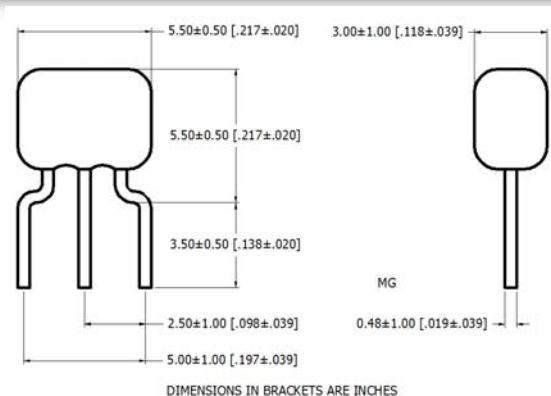


Please Consult with MMD Sales Department for any other Parameters or Options

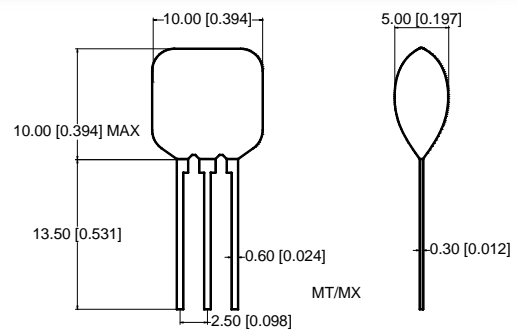
Schematic



Mechanical Dimensions



DIMENSIONS IN BRACKETS ARE INCHES



DIMENSIONS IN BRACKETS ARE INCHES



MMD Monitor/Quartztek
 30400 Esperanza, Rancho Santa Margarita, CA, 92688
 Phone: (949) 709-5075, Fax: (949) 709-3536, www.mmdcomp.com
 Sales@mmdcomp.com

Revision: 05/08/12 F