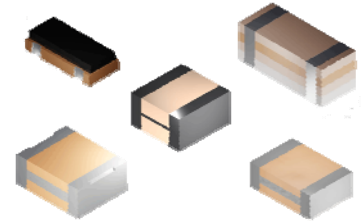


MZTAC Series Ceramic Resonator

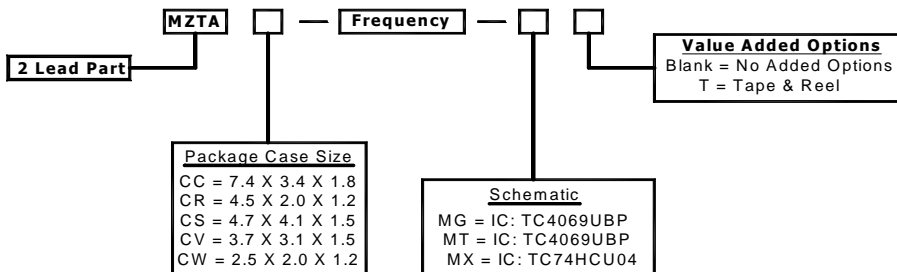


- 5 Package Options
- Ceramic SMD
- RoHS Compliant



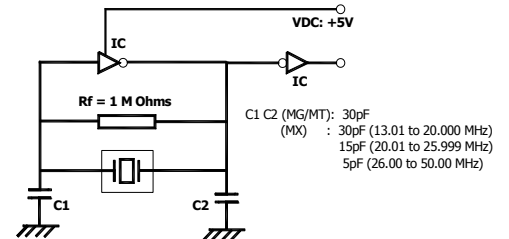
Part Number □ = MHz	Frequency Range	Frequency Accuracy	Temperature Stability (-25°C to +85°C)	Aging for 10 Years
MZTACC□MG	2.0 MHz to 8.00 MHz	±0.5%	±0.3%	±0.3%
MZTACR□MG	4.00 MHz to 8.00 MHz	±0.5%	±0.3%	±0.3%
MZTACS□MT	6.00 MHz to 13.00 MHz	±0.5%	±0.4%	±0.3%
MZTACV□MT	8.00 MHz to 13.00 MHz	±0.5%	±0.4%	±0.3%
MZTACS□MX	13.01 MHz to 50.00 MHz	±0.5%	±0.3%	±0.3%
MZTACV□MX	16.00 MHz to 50.00 MHz	±0.5%	±0.3%	±0.3%
MZTACW□MX	20.00 MHz to 50.00 MHz	±0.5%	±0.3%	±0.3%

Part Number Guide



Please Consult with MMD Sales Department for any other Parameters or Options

Schematic



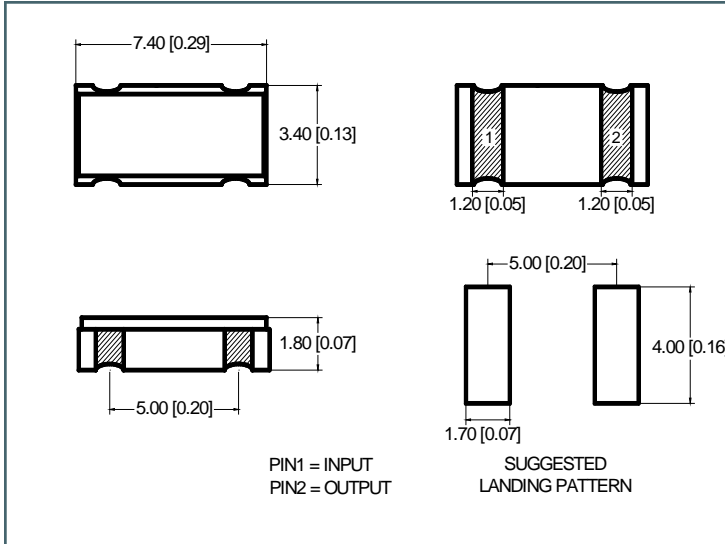
MMD Monitor/Quartztek
 30400 Esperanza, Rancho Santa Margarita, CA, 92688
 Phone: (949) 709-5075, Fax: (949) 709-3536, www.mmdcomp.com
 Sales@mmdcomp.com



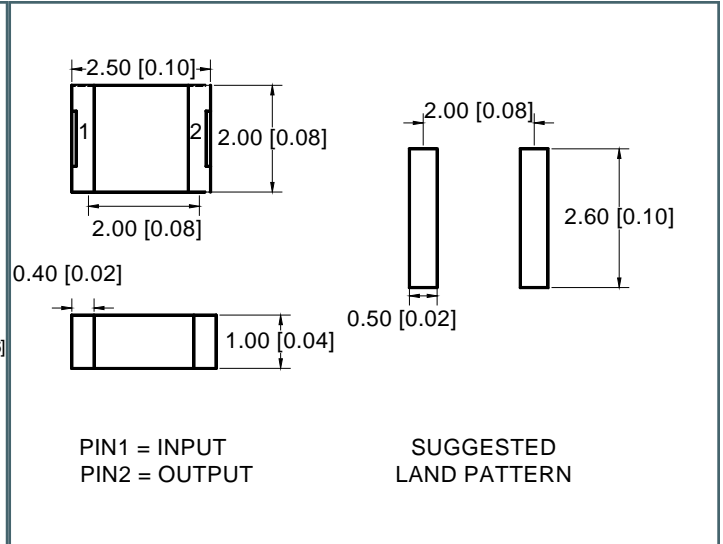
Revision: MZTAC011111G

Package Dimensions

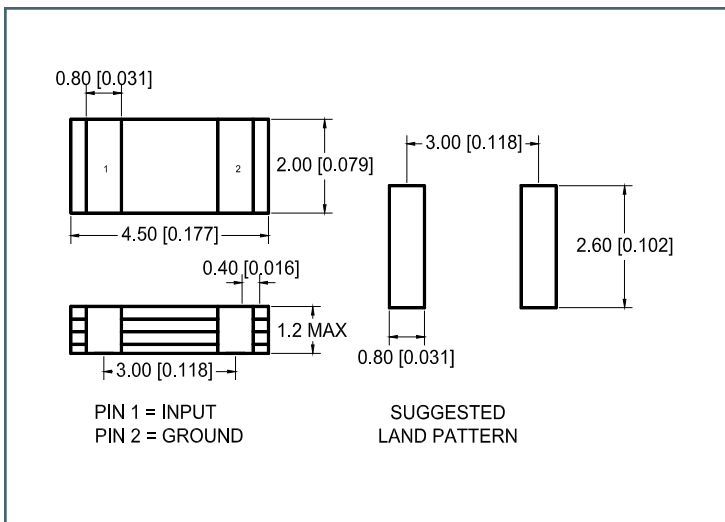
CC



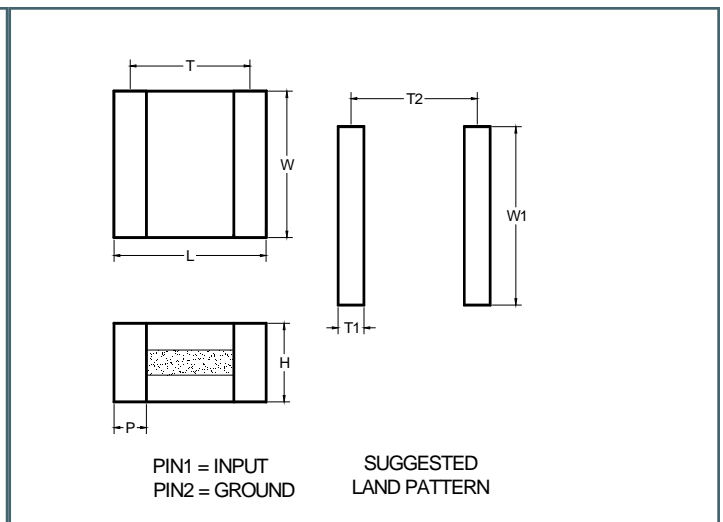
CW



CR



CS/CV



Model	L	W	H	P	T
CS	4.7±0.2	4.1±0.2	1.5±0.2	0.8±0.2	3.9±0.2
CV	3.7±0.2	3.1±0.2	1.5±0.2	0.7±0.2	3.7±0.2
LAND PATTERN DIMENSIONS					
Model	T1	T2	W1		
CS	0.8±0.2	3.9±0.2	5.1±0.2		
CV	0.7±0.2	3.0±0.2	4.1±0.2		



MMD Monitor/Quartztek
 30400 Esperanza, Rancho Santa Margarita, CA, 92688
 Phone: (949) 709-5075, Fax: (949) 709-3536, www.mmdcomp.com
 Sales@mmdcomp.com



Revision:	MZTAC011111G
-----------	--------------