

MVLP, MVLL & MVLV Series VCXO



- MIL-STD-883 Level B Screening Available
- Available to -55°C to + 125°C Operating
- RoHS Compliant
- Less than 1 pSec Jitter



		LVDS	LVPECL	PECL
Frequency Range		70.000MHz to 800.000MHZ		
Frequency Stability*		(See Part Number Guide for Options)		
Operating Temp.Range		(See Part Number Guide for Options)		
Storage Temp. Range		-55°C to +125°C		
Aging		±5 ppm / yr max		
Logic "0"		1.43V typ	Vdd - 1.620 VDC max	Vdd - 1.620 VDC max
Logic "1"		1.10V typ	Vdd- 1.025 vdc min	Vdd- 1.025 vdc min
Supply Voltage (Vdd) Supply Current	+2.5VDC ± 5%	50 mA max	50 mA max	N/A
	+3.3VDC ± 5%	60 mA max	60 mA max	N/A
	+5.0VDC ± 5%	N/A	N/A	140 mA max
Symmetry (50% of waveform)		(See Part Number Guide for Options)		
Rise / Fall Time (20% to 80%)		2nSec max		
Load		50 Ohms into Vdd-2.00 VDC		
Start Time		10mSec max		
Phase Jitter (12kHz to 20MHz)		Less than 1 pSec		
Tri-State Operation		Vih = 70% of Vdd min to Enable Output Vil = 30% max or grounded to Disable Output (High Impedance)		
* Inclusive of Temp., Load, Voltage and Aging				
Control Voltage (Vc)	+2.5VDC	1.25VDC ±1.00VDC	1.25VDC ±1.00VDC	N/A
	+3.3VDC	1.65VDC ±1.50VDC	1.65VDC ±1.50VDC	N/A
	+5.0VDC	N/A	N/A	2.50VDC ±2.00VDC
Pullability		(See Part Number Guide for Options)		
Linearity		(See Part Number Guide for Options)		

Environmental & Mechanical Detail

Shock	MIL-STD-883, Method 2002 Cond B
Solderability	MIL-STD-883, Method 2003
Solvent Resistance	MIL-STD-202, Method 215
Vibration	MIL-STD-883, Method 2007, Cond A
Gross Leak Test	MIL-STD-883, Method 1014, Cond C
Fine Leak Test	MIL-STD-883, Method 1014, Cond A2
MSL	Level 1 per IPC/JEDEC J-STD 20

Marking Detail

Line 1 = MXXXXX		
M	=	MMD
XXXXX	=	Frequency in MHZ
Line 2 = SYWWL		
S	=	Internal Code
YYWW	=	4 Numerical Digit Date Code (Year / Week) Jan 27 2011=1105
L	=	Denotes RoHS Compliant
Line 3 = XXXXX		
Internal use only		
May vary with lots		
Black dot to denote Pin 1		

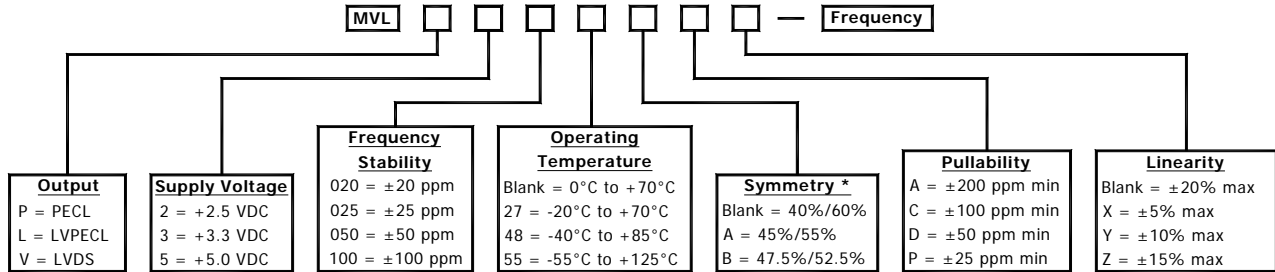


MMD Monitor/Quartztek
 30400 Esperanza, Rancho Santa Margarita, CA, 92688
 Phone: (949) 709-5075, Fax: (949) 709-3536, www.mmdcomp.com
 Sales@mmdcomp.com



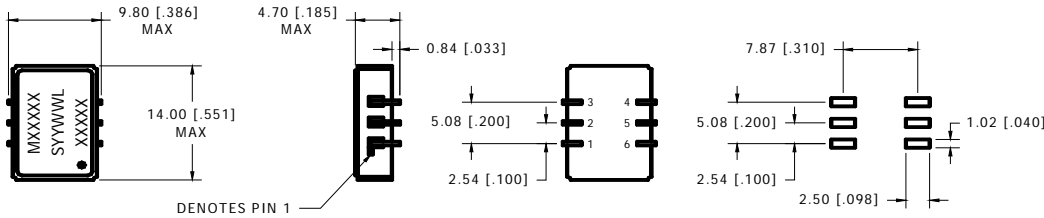
Revision: 10/29/10 D

Part Number Guide



*Option B (47.5/52.5%) Available up to 500MHZ only
Please Consult with MMD Sales Department for any other Parameters or Options

Mechanical Details

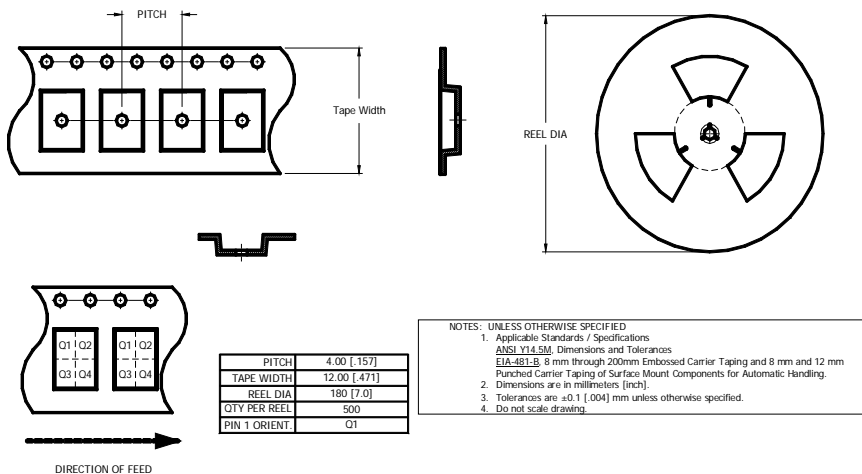


Dimension in Brackets are in Inches
External Bypass Capacitor is Recommended

Recommended
Land Pattern

PIN CONNECTIONS	
PIN 1	VOLTAGE CONTROL
PIN 2	ENABLE/DISABLE
PIN 3	GROUND
PIN 4	OUTPUT
PIN 5	COMP. OUTPUT
PIN 6	SUPPLY VOLTAGE

Tape & Reel Dimensions



NOTES: UNLESS OTHERWISE SPECIFIED
 1. Applicable Standards / Specifications
 ANSI Y13.53, Dimensions and Tolerances
 EIA-481-B, 8 mm through 200mm Embossed Carrier Taping and 8 mm and 12 mm Punched Carrier Taping of Surface Mount Components for Automatic Handling.
 2. Dimensions are in millimeters (inch).
 3. Tolerances are ±0.1 [.004] mm unless otherwise specified.
 4. Do not scale drawings.



MMD Monitor/Quartztek
 30400 Esperanza, Rancho Santa Margarita, CA, 92688
 Phone: (949) 709-5075, Fax: (949) 709-3536, www.mmdcomp.com
 Sales@mmdcomp.com



Revision:	10/29/10 D
-----------	------------