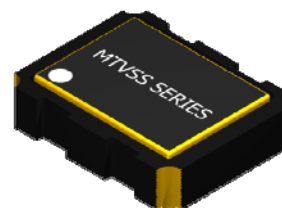


MTVSS Series – 3.2 X 2.5 Ceramic SMD VCTCXO



- Low Profile SMD Device
- Hermetically Sealed
- Tight Stability Over Temperature
- Excellent Phase Noise



Frequency Range	14.400MHZ TO 32.768MHZ				
Frequency Stability vs Temperature*	(See Frequency Stability vs Temperature Table)				
Operating Temperature Range	(See Frequency Stability vs Temperature Table)				
Storage Temperature Range	-40°C to +85°C				
Aging	±1.0 per year				
Supply Voltage	+2.5VDC	+2.8VDC	+3.0VDC	3.3VDC	+3.6VDC
Supply Current	2mA max				
Output Type	Clipped Sinewave				
Output Level	0.8 Vp-p min				
Output Load	10k Ohms//10pF				
Control Voltage	1.25V±1.0V	1.4V±1.0V	1.5V±1.0V	1.65V±1.0V	1.8V±1.0V
Frequency Tuning Range	±8 ppm to ±15 ppm				
Phase Noise	100Hz		-115dBc/Hz		
	1kHz		-135dBc/Hz		
	10kHz		-145dBc/Hz		

* Inclusive of Temperature., Load and Voltage

Environmental & Mechanical Detail

Shock	MIL-STD-883, Method 2002, Condition B
Solderability	MIL-STD-883, Method 2003
Solvent Resistance	MIL-STD-883, Method 215
Vibration	MIL-STD-883, Method 2007, Condition A
Gross Leak Test	MIL-STD-883, Method 1014, Condition C
Fine Leak Test	MIL-STD-883, Method 1014, Condition A-2

Marking Detail

First Line = MXX.X (not to exceed 5 characters)		
M	=	MMD
XX.X	=	Device Frequency (four digits including decimal point)
Second Line = SYWW (not to exceed 5 characters)		
S	=	Internal Code
YYWW	=	Date Code (Year/Week)

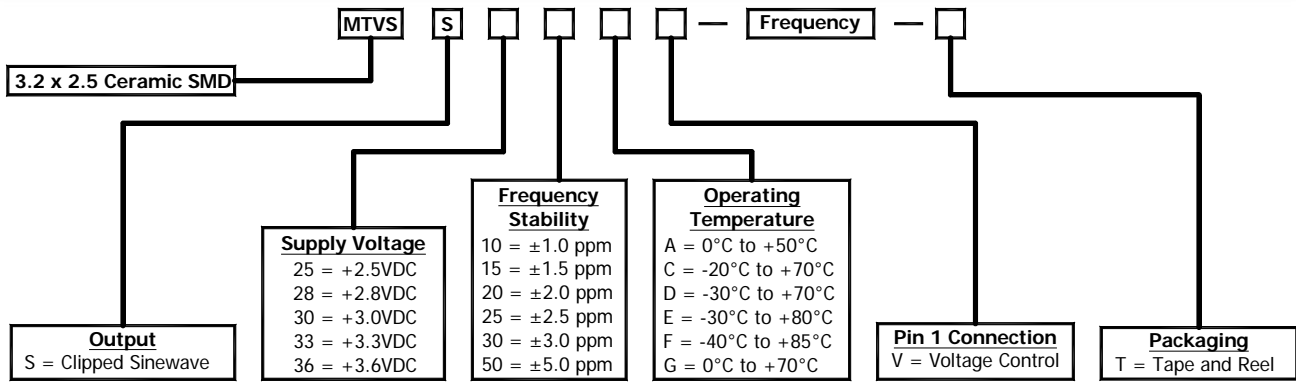


MMD Monitor/Quartztek
 30400 Esperanza, Rancho Santa Margarita, CA, 92688
 Phone: (949) 709-5075, Fax: (949) 709-3536, www.mmdcomp.com
 Sales@mmdcomp.com



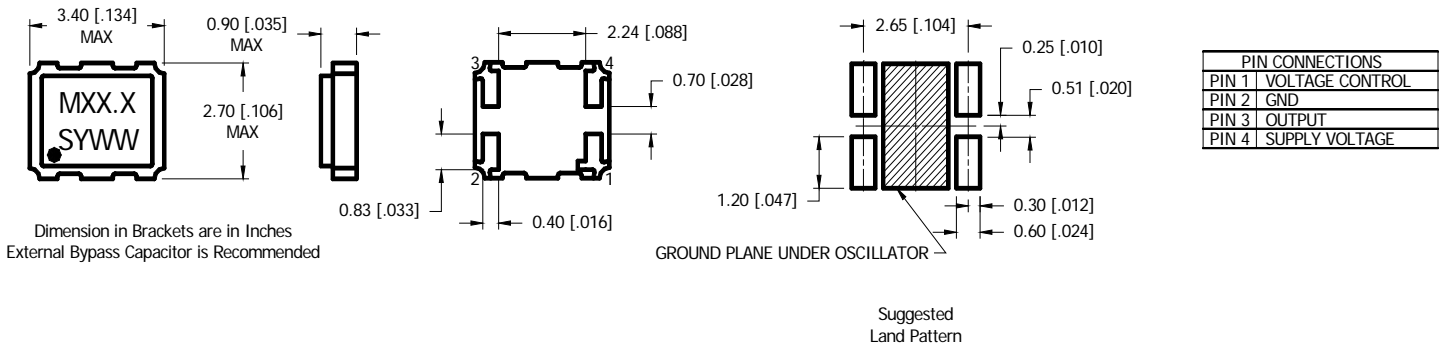
Revision: 08/04/11 A

Part Number Guide

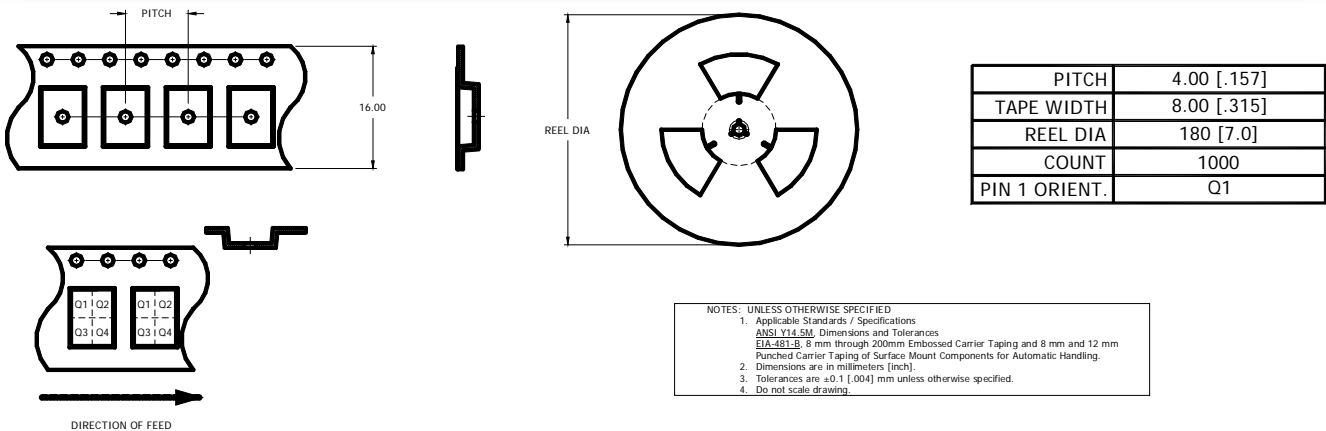


Please Consult with MMD Sales Department for any other Parameters or Options

Mechanical Details



Tape & Reel Dimensions



MMD Monitor/Quartztek
 30400 Esperanza, Rancho Santa Margarita, CA, 92688
 Phone: (949) 709-5075, Fax: (949) 709-3536, www.mmdcomp.com
 Sales@mmdcomp.com



Revision: 08/04/11 A