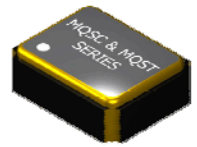


MQSC & MQST Series Ceramic SMD Oscillator



- o Same day Shipping Available
- o 2.5 X 3.2mm SMD Package
- o RoHS Compliant
- o Tape & Reel package Available



Frequency Range	1.000MHZ to 125.000MHZ			
Frequency Stability (Inclusive of Temperature, Load and Voltage)	See Part Number Guide			
Aging @ 25°C	±5 ppm per year max			
Operating Temperature Range	See Part Number Guide			
Storage Temperature Range	-55°C to +125°C			
Output Waveform	TTL		CMOS	
Supply Voltage (Vdd)	+3.3 VDC ±10%	+5.0 VDC ±10%	+3.3 VDC ±10%	+5.0 VDC ±10%
Supply Current (unloaded)	25mA	45mA	25mA	45mA
Load	5TTL max		15pF max	
Logic "0"	0.4V max		0.1 of Vdd max	
Logic "1"	2.4V min		0.9 of Vdd min	
Rise/Fall Time	4nSec max (0.4V to 2.4V)		4nSec max (20% Vdd to 80 Vdd)	
Start Up Time	10mSec max			
Duty Cycle	40%/60% (TTL @ 1.4V Level / CMOS @ 50% Waveform)			

Mechanical & Environmental Detail

Shock	MIL-STD-883, Method 2002 Cond B
Solderability	MIL-STD-883, Method 2003
Solvent Resistance	MIL-STD-202, Method 215
Vibration	MIL-STD-883, Method 2007, Cond A
Gross Leak Test	MIL-STD-883, Method 1014, Cond C
Fine Leak Test	MIL-STD-883, Method 1014, Cond A2
MSL	Level 1 per IPC/JEDEC J-STD 20

Marking Detail

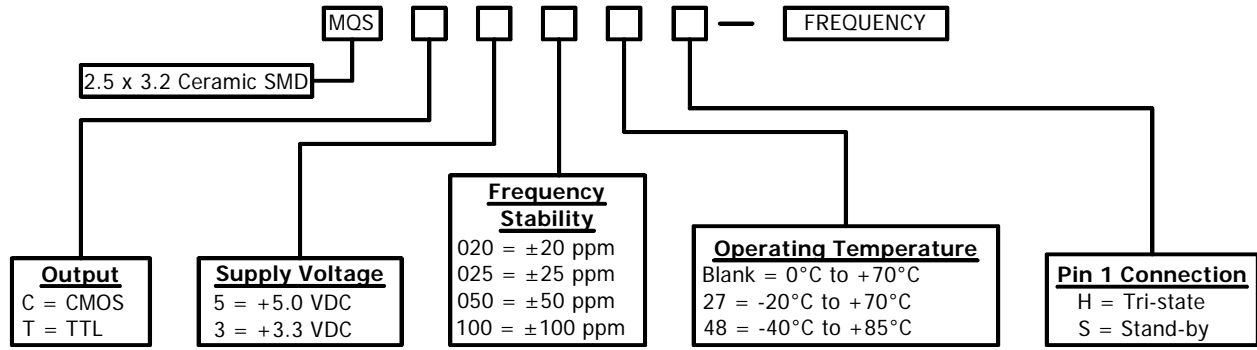
First Line = MXX.X (not to exceed 5 characters)		
M	=	MMD
XX.X	=	Device Frequency (four digits including decimal point)
Second Line = SYWW (not to exceed 5 characters)		
S	=	Internal Code
YYWW	=	Date Code (Year/Week)
Y	=	RoHS Compliant



MMD Monitor/Quartztek
 30400 Esperanza, Rancho Santa Margarita, CA, 92688
 Phone: (949) 709-5075, Fax: (949) 709-3536, www.mmdcomp.com
 Sales@mmdcomp.com

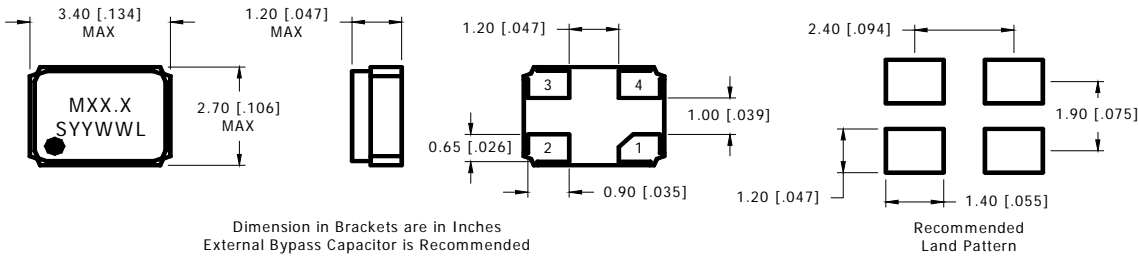


Part Number Guide



PLEASE CONSULT WITH MMD SALES DEPARTMENT FOR ANY OTHER PARAMETERS OR OPTIONS

Mechanical Details

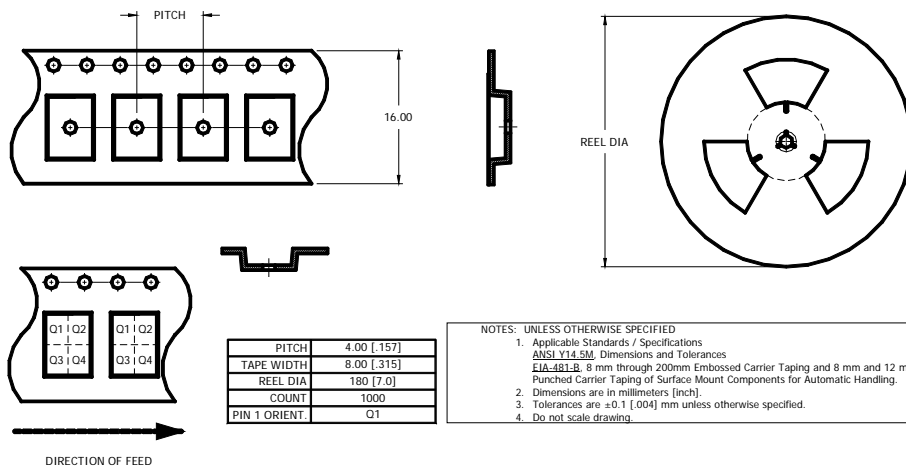


Dimension in Brackets are in Inches
External Bypass Capacitor is Recommended

Recommended Land Pattern

PIN CONNECTIONS	
PIN 1	TRI-STATE OR STAND-BY
PIN 2	GROUND
PIN 3	OUTPUT
PIN 4	SUPPLY VOLTAGE

Tape & Reel Dimensions



PITCH	4.00 [0.157]
TAPE WIDTH	8.00 [0.315]
REEL DIA	180 [7.0]
COUNT	1000
PIN 1 ORIENT	Q1

NOTES: UNLESS OTHERWISE SPECIFIED
 1. Applicable Standards / Specifications
 ANSI Y14.5M, Dimensions and Tolerances
 EIA-481-B, 8 mm through 200mm Embossed Carrier Taping and 8 mm and 12 mm Punched Carrier Taping of Surface Mount Components for Automatic Handling.
 2. Dimensions are in millimeters (inch).
 3. Tolerances are ±0.1 [0.004] mm unless otherwise specified.
 4. Do not scale drawing.



MMD Monitor/Quartztek
 30400 Esperanza, Rancho Santa Margarita, CA, 92688
 Phone: (949) 709-5075, Fax: (949) 709-3536, www.mmdcomp.com
 Sales@mmdcomp.com

