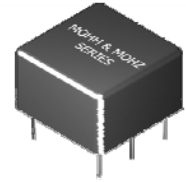


MOHH & MOHZ Series OCXO



- High Stability
- SC Crystal
- -40°C to 85° Available



Frequency Range		5.0MHz to 250.0MHz		
Frequency Stability vs Operating Temperature		(See Part Number Guide for Options)		
Frequency Stability vs Supply Voltage		±1ppb		
Frequency Stability vs Aging		0.5 ppb/Day max		
		0.1 ppm/Year max		
Operating Temperature		(See Part Number Guide for Options)		
All stabilities not available over wider temperature ranges, please consult MMD for availability.				
Storage Temperature		-55°C to 90°C		
Output	Sinewave	+3dBm 50Ω min		
	HCMOS	10K Ohm 15pF		
Supply Voltage		3.3V	5.0V	12.0V
Warm-up Time	2 min to 0.1ppm accuracy			
Turn on Power Consumption	≤3.2W			
Steady State Power Consumption	≤1.0W			
Control Voltage	Vcc=5 or 12V	0 to 4.3V, 2.50 Center Voltage		
	Vcc = 3.3V	0 to 2.8V, 1.65 Center Voltage		
Slope	Positive			
Pull Range	±0.5 ppm min, ±1ppm typ			
Phase Noise @ 10MHZ				
	10 Hz Offset	-125dBc		
	100 Hz Offset	-143dBc		
	1 KHz Offset	-150dBc		
	10KHz Offset	-158dBc		
	100KHz Offset	-160dBc		
Voltage Reference Output	Vcc = 5 or 12V	4.3V		
	Vcc = 3.3V	2.8V		

Environmental

Shock	MIL-STD-883, Method 2002 Cond B
Solderability	MIL-STD-883, Method 2003
Solvent Resistance	MIL-STD-202, Method 215
Vibration	MIL-STD-883, Method 2007, Cond A

Marking Detail

Line 1 = MXXXXX			
M	=	MMD	
XXXXX	=	Frequency in MHZ	
Line 2 = SYYWWL			
S	=	Internal Code	
YYWW	=	4 Numerical Digit Date Code (Year / Week)	
L	=	Denotes RoHS Compliant	
Line 3 = XXXXX			
Internal use only			
May vary with lots			
Pin 1 Designator			

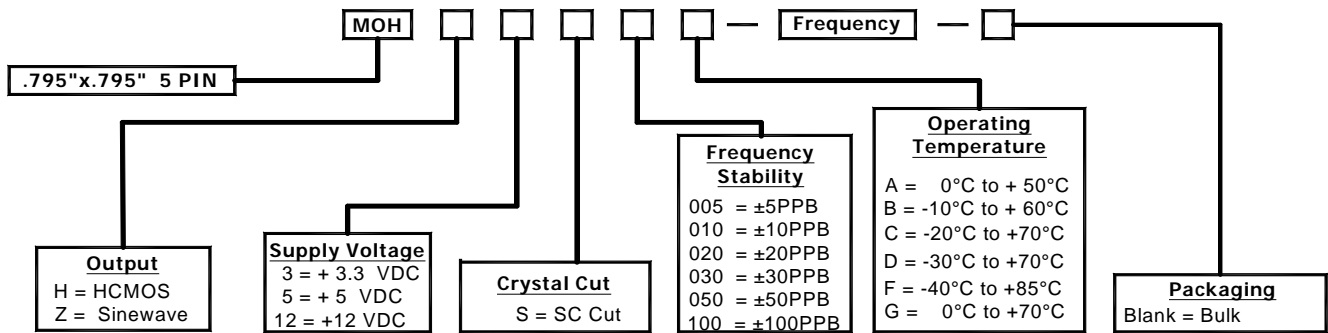


MMD Monitor/Quartztek
 30400 Esperanza, Rancho Santa Margarita, CA, 92688
 Phone: (949) 709-5075, Fax: (949) 709-3536, www.mmdcomp.com
 Sales@mmdcomp.com



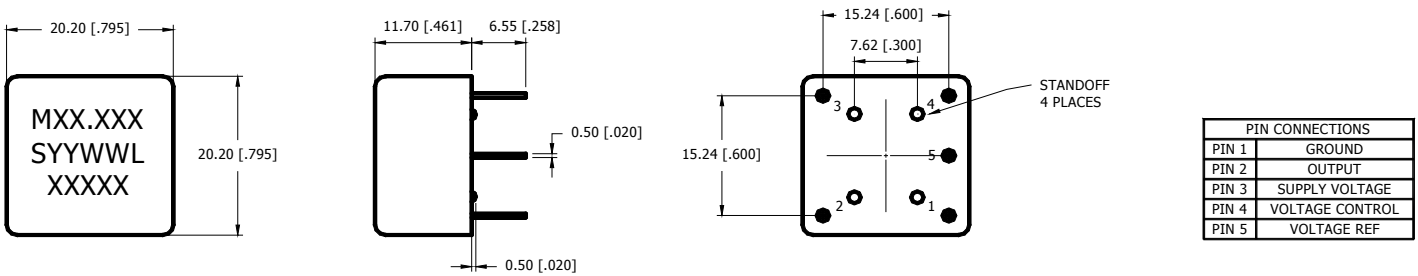
Revision: 09/26/11 C

Part Number Guide



Please Consult with MMD Sales Department for any other Parameters or Options

Mechanical Details



PIN CONNECTIONS	
PIN 1	GROUND
PIN 2	OUTPUT
PIN 3	SUPPLY VOLTAGE
PIN 4	VOLTAGE CONTROL
PIN 5	VOLTAGE REF

DIMENSION IN BRACKETS ARE IN INCHES
EXTERNAL BYPASS CAPACITOR IS RECOMMENDED
DEVICE SHALL BE MARKED PER MMD DRAWING DO-00336



MMD Monitor/Quartztek
30400 Esperanza, Rancho Santa Margarita, CA, 92688
Phone: (949) 709-5075, Fax: (949) 709-3536, www.mmdcomp.com
Sales@mmdcomp.com



Revision: 09/26/11 C