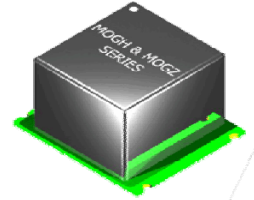


MOGH & MOGZ Series 1"x .87" SMD OCXO



- Ultra High Stability
- SC Crystal
- Surface Mount



Frequency Range	5.0MHz to 250.0MHz		
Frequency Stability vs Operating Temperature	(See Part Number Guide for Options)		
Frequency Stability vs Supply Voltage	±1ppb		
Frequency Stability vs Aging	0.5 ppb/Day		
	0.1 ppm/Year		
Operating Temperature	(See Part Number Guide for Options)		
All stabilities not available over wider temperature ranges, please consult MMD for availability.			
Storage Temperature	-55°C to 90°C		
Output	Sinewave	+3dBm 50Ω min	
	HCMOS	10K Ohm 15pF	
Supply Voltage	3.3V	5.0V	12.0V
Warm-up Time	2 min to 0.1ppm accuracy		
Turn On	≤3.2W		
Steady State	≤1.0W		
Control Voltage	Vcc=5 or 12V	0 to 4.3V	
	Vcc = 3.3V	0 to 2.8V	
Slope	Positive		
Pull Range	±0.5ppm min, ±1ppm typ		
Phase Noise @ 10MHZ Frequency Output	10 Hz Offset	-125dBc	
	100 Hz Offset	-143dBc	
	1 KHz Offset	-150dBc	
	10KHz Offset	-158dBc	
	100KHz Offset	-160dBc	
Voltage Reference Output	Vcc = 5 or 12V	4.3V	
	Vcc = 3.3V	2.8V	

Environmental

Shock	MIL-STD-883, Method 2002 Cond B
Solderability	MIL-STD-883, Method 2003
Solvent Resistance	MIL-STD-202, Method 215
Vibration	MIL-STD-883, Method 2007, Cond A

Marking Detail

Line 1 = MXXXXX			
M	=	MMD	
XXXXX	=	Frequency in MHZ	
Line 2 = SYWWL			
S	=	Internal Code	
YYWW	=	4 Numerical Digit Date Code (Year / Week)	
L	=	Denotes RoHS Compliant	
Line 3 = XXXXX			
Internal use only			
May vary with lots			
Pin 1 Designator			

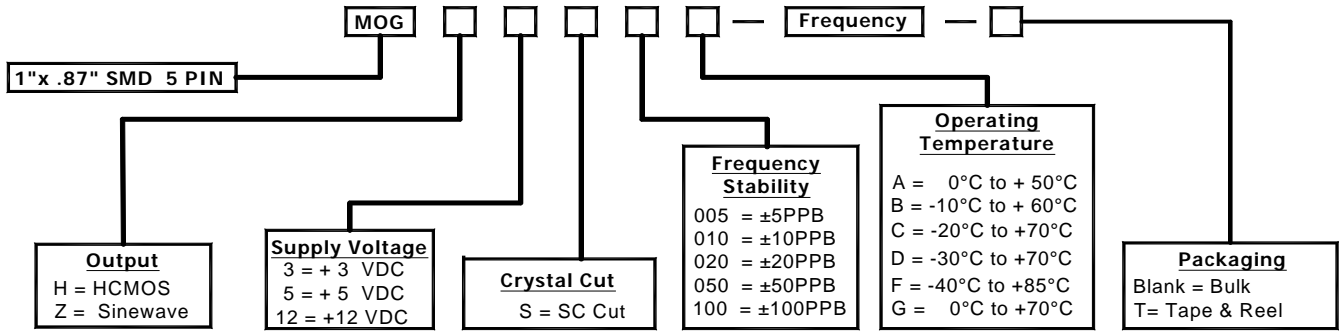


MMD Monitor/Quartztek
 30400 Esperanza, Rancho Santa Margarita, CA, 92688
 Phone: (949) 709-5075, Fax: (949) 709-3536, www.mmdcomp.com
 Sales@mmdcomp.com



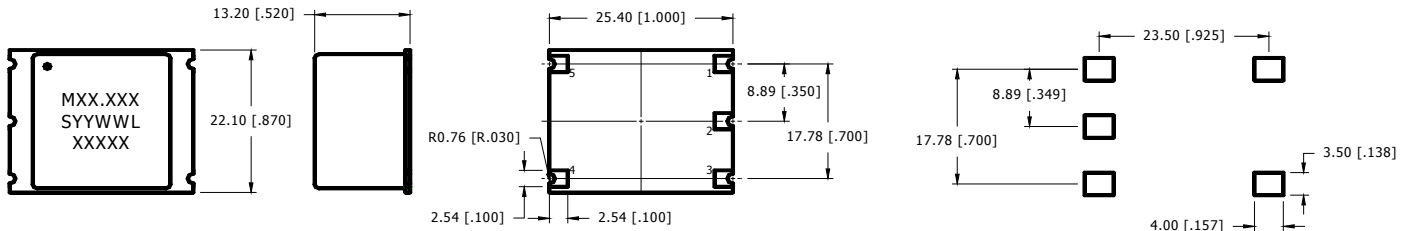
Revision: 03/18/11 B

Part Number Guide



Please Consult with MMD Sales Department for any other Parameters or Options

Mechanical Details



- NOTES:**
1. APPLICABLE STANDARDS/ SPECIFICATION ANSI Y14.5M-1994, DIMENSION AND TOLERANCES.
 2. DIMENSION IN BRACKETS ARE IN INCHES.
 3. PIN NUMBERS ARE FOR REFERENCE ONLY
 4. DO NOT SCALE DRAWING

PIN CONNECTIONS	
PIN 1	VOLTAGE CONTROL
PIN 2	VOLTAGE REF OUTPUT
PIN 3	SUPPLY VOLTAGE
PIN 4	OUTPUT
PIN 5	GROUND

EXTERNAL BYPASS CAPACITOR IS RECOMMENDED
UNIT IS NOT HERMETICALLY SEALED



MMD Monitor/Quartztek
30400 Esperanza, Rancho Santa Margarita, CA, 92688
Phone: (949) 709-5075, Fax: (949) 709-3536, www.mmdcomp.com
Sales@mmdcomp.com



Revision: 03/18/11 B