

# MOFH & MOFZ Series – 14 Pin Dip OCXO



- Oven Controlled Oscillator
- 1.0 MHz to 150.0 MHz Available
- SC Crystal Option
- RoHS Option Available
- $\pm 10\text{ppb}$  to  $\pm 500\text{ppb}$



Frequency Range	1.0 MHz to 150.0MHz			
Frequency Stability	$\pm 50\text{ppb}$ to $\pm 500\text{ppb}$			
Operating Temperature	$-40^{\circ}\text{C}$ to $85^{\circ}\text{C}$ max*			
* All stabilities not available, please consult MMD for availability.				
Storage Temperature	$-40^{\circ}\text{C}$ to $95^{\circ}\text{C}$			
Output	Sinewave	$\pm 3\text{ dBm}$	$50\Omega$	
	HCMOS 3.3V, 5V	10% Vdd max 90% Vdd min	15pF	
	HCMOS 12V	Logic '0' = .5V max Logic '1' = 4.5V min		
Supply Voltage (Vdd)	3.3V	5V	12V	
Supply Current	typ	220mA	200mA	80mA
	max	550mA	400mA	150mA
Warm-up Time	3min. @ $25^{\circ}\text{C}$			
Input Impedance	100K Ohms typical			
Crystal	AT or SC Cut options			
Phase Noise @ 10MHZ		SC	AT	
	10 Hz Offset	-100dBc	-92dBc	
	100 Hz Offset	-127dBc	-118dBc	
	1000 Hz Offset	-140dBc	-135dBc	
Voltage Control 0 to VCC	$\pm 3\text{ppm typ}$	$\pm 10\text{ppm typ}$		
Aging (after 30 days)	$\pm 0.5\text{ppm/yr.}$	$\pm 1.5\text{ppm/yr.}$		

## Environmental & Mechanical Detail

Shock	MIL-STD-883, Method 2002 Cond B
Solderability	MIL-STD-883, Method 2003
Solvent Resistance	MIL-STD-202, Method 215
Vibration	MIL-STD-883, Method 2007, Cond A
Gross Leak Test	MIL-STD-883, Method 1014, Cond C
Fine Leak Test	MIL-STD-883, Method 1014, Cond A2
MSL	Level 1 per IPC/JEDEC J-STD 20

## Marking Detail

Line 1 = MXXXXX		
M	=	MMD
XXXXX	=	Frequency in MHz
Line 2 = SYWWL		
S	=	Internal Code
YYWW	=	4 Numerical Digit Date Code (Year / Week)
L	=	Denotes RoHS Compliant
Line 3 = XXXXX		
Internal use only		
May vary with lots		
Pin 1 Designator		

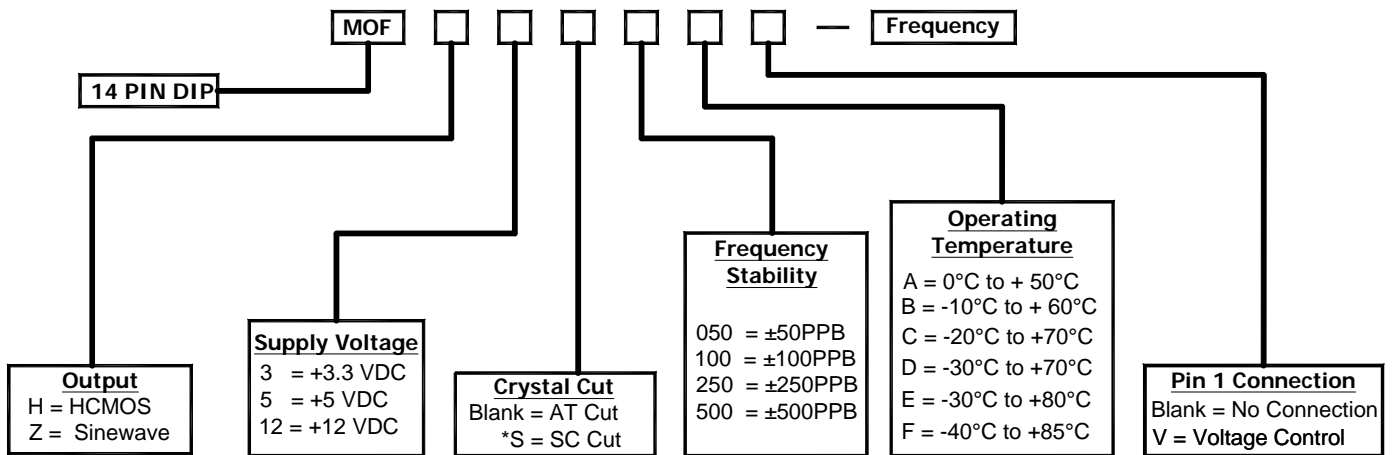


MMD Monitor/Quartztek  
 30400 Esperanza, Rancho Santa Margarita, CA, 92688  
 Phone: (949) 709-5075, Fax: (949) 709-3536, [www.mmdcomp.com](http://www.mmdcomp.com)  
 Sales@mmdcomp.com



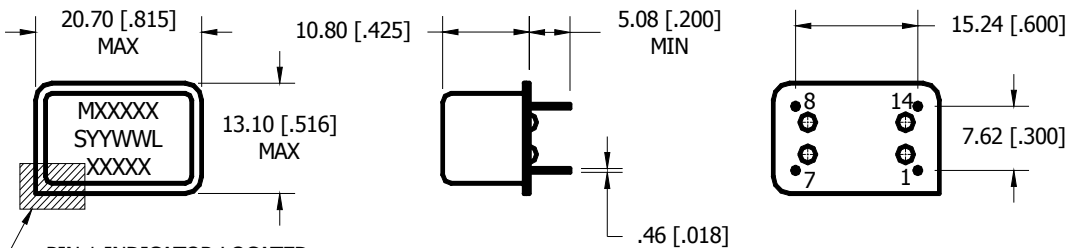
Revision: MOF070711K

## Part Number Guide



Please Consult with MMD Sales Department for any other Parameters or Options  
 \*SC Crystal must be used under specific aging and stabilities

## Mechanical Details



PIN CONNECTIONS	
PIN 1	VC OR NC
PIN 7	GROUND
PIN 8	OUTPUT
PIN 14	SUPPLY VOLTAGE

PIN 1 INDICATOR LOCATED IN THIS AREA

DIMENSIONS IN BRACKETS ARE IN INCHES  
 EXTERNAL BYPASS CAPACITOR IS RECOMMENDED



**MMD Monitor/Quartztek**  
 30400 Esperanza, Rancho Santa Margarita, CA, 92688  
 Phone: (949) 709-5075, Fax: (949) 709-3536, [www.mmdcomp.com](http://www.mmdcomp.com)  
 Sales@mmdcomp.com



Revision:	MOF070711K
-----------	------------