

# WC415 Series Crystal

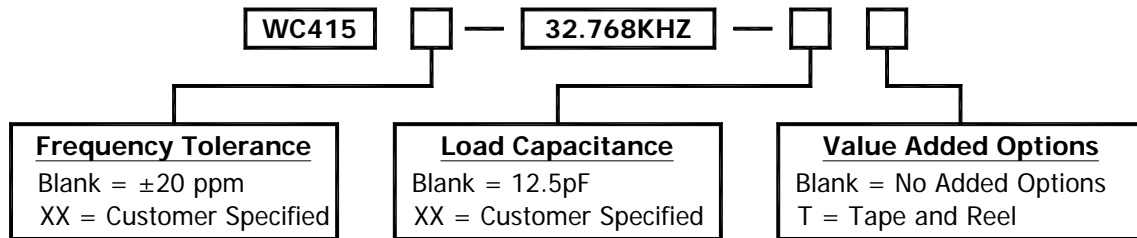


- Ceramic SMD Tuning Fork Crystal
- 32.768KHZ
- RoHS Compliant
- Tape and Reel Packaging Available



Frequency	32.768KHZ
Frequency Tolerance at +25°C	±20 ppm
Load Capacitance	12.5pF
Operating Temperature	-40°C to +85°C
Storage Temperature	-55°C to +125°C
Turnover Temperature	+25°C ±5°C
Stability	-0.035 ppm / (change in °C) <sup>2</sup> max parabolic curve
Equivalent Series Resistance	70k Ohms Max
Drive Level	1uW max
Aging	±3 ppm first year
Quality Factor	30000 typ
Shunt Capacitance	1.05pF Max

## Part Number Guide



Please consult with MMD sales department for any other parameters or options.

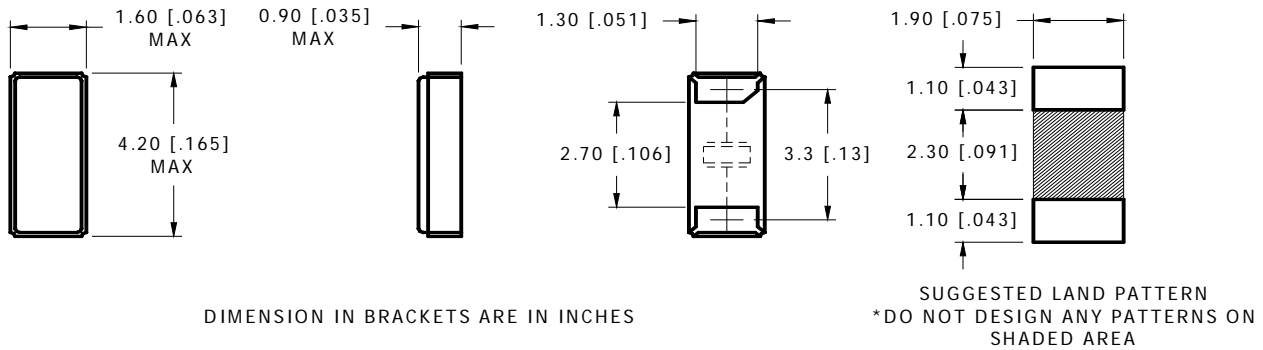


**MMD Monitor/Quartztek**  
 30400 Esperanza, Rancho Santa Margarita, CA, 92688  
 Phone: (949) 709-5075, Fax: (949) 709-3536, [www.mmdcomp.com](http://www.mmdcomp.com)  
 Sales@mmdcomp.com

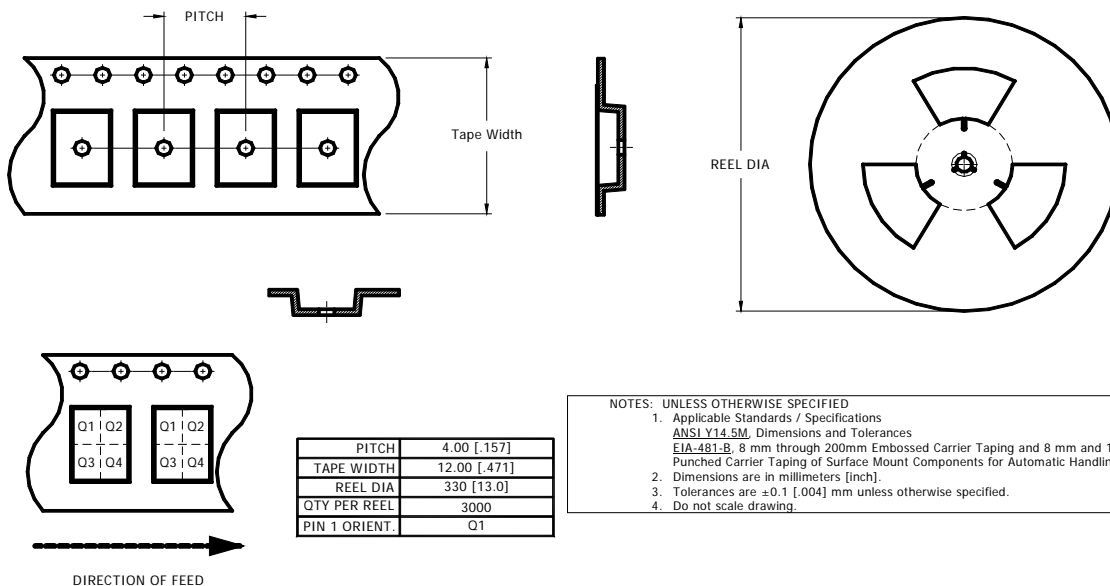


Revision:	11/08/10 D
-----------	------------

## Mechanical Details



## Tape & Reel



**MMD Monitor/Quartztek**  
 30400 Esperanza, Rancho Santa Margarita, CA, 92688  
 Phone: (949) 709-5075, Fax: (949) 709-3536, [www.mmdcomp.com](http://www.mmdcomp.com)  
 Sales@mmdcomp.com



Revision: 11/08/10 D