

MXH Series 2.0 x 2.5 Ceramic SMD Oscillator



- Low Profile SMD Package
- Hermetically Sealed
- Wide Frequency Range
- Custom Options Available



Frequency Range	1.544MHZ to 66.000MHZ				
Temperature Stability*	(See Part Number Guide for Options)				
Operating Temperature Range	(See Part Number Guide for Options)				
Storage Temperature Range	-40°C to +85°C				
Aging (+25°C ±3°C)	±5ppm for first year				
Supply Voltage ±10% (Vdd)	+1.80 VDC	+2.50 VDC	+3.30 VDC	+5.00 VDC	
Supply Current	1.544MHZ to 9.999MHZ	6mA max	7mA max	8mA max	10mA max
	10.000MHZ to 34.999MHZ	7mA max	8mA max	10mA max	20mA max
	35.000MHZ to 49.999MHZ	15mA max	20mA max	25mA max	50mA max
	50.000MHZ to 66.000MHZ	25mA max	30mA max	35mA max	60mA max
Waveform	HCMOS				
Logic "0"	10% Vdd max				
Logic "1"	90% Vdd min				
Rise/Fall Time (10% to 90% of Supply Voltage)	4nSec				
Load	15pF				
Symmetry (50% of waveform)	(See Part Number Guide for Options)				
Start-up Time	10mSec max				
Absolute Clock Period Jitter	1pSec				
Tri-State Operation	Voh = 70% of Vdd min to Enable Output Vol = 30% max or grounded to Disable Output (High Impedance)				
Standby Current (only with "S" Option)	<7 Micro Amps				
* Inclusive of Temperature., Load and Voltage					

Environmental & Mechanical Detail

Shock	MIL-STD-883, Method 2002 Cond B
Solderability	MIL-STD-883, Method 2003
Solvent Resistance	MIL-STD-202, Method 215
Vibration	MIL-STD-883, Method 2007, Cond A
Gross Leak Test	MIL-STD-883, Method 1014, Cond C
Fine Leak Test	MIL-STD-883, Method 1014, Cond A2
MSL	Level 1 per IPC/JEDEC J-STD 20

Marking Detail

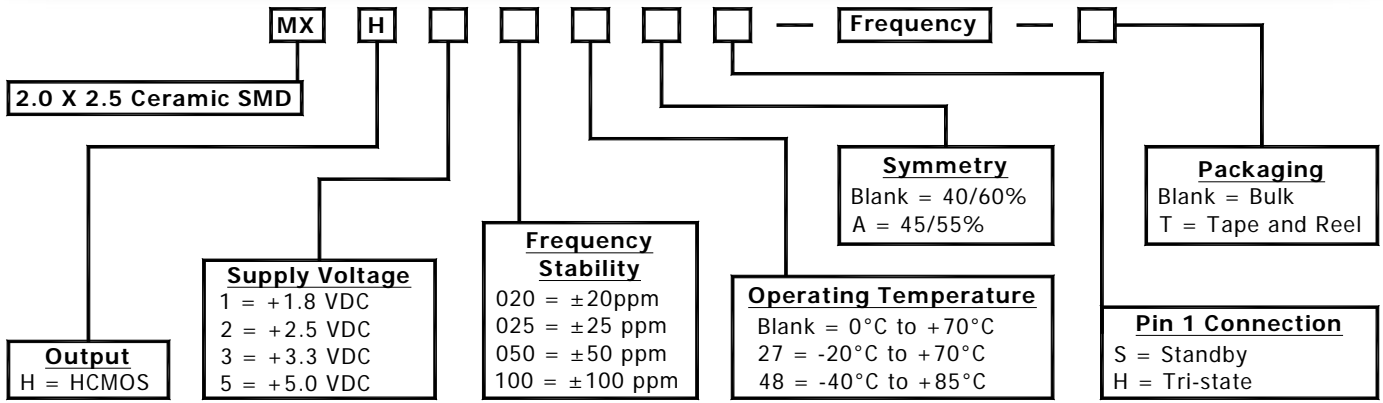
First Line = XX.XX (5 characters Max)	
XX.XX	= Device Frequency (four digits including decimal point)
Second Line = SYWW (5 characters Max)	
S	= Internal Code (may be one or two letters)
YWW	= Date Code (Year/Week)
L	= RoHS Compliant
Pin 1 Indicator	



MMD Monitor/Quartztek
 30400 Esperanza, Rancho Santa Margarita, CA, 92688
 Phone: (949) 709-5075, Fax: (949) 709-3536, www.mmdcomp.com
 Sales@mmdcomp.com

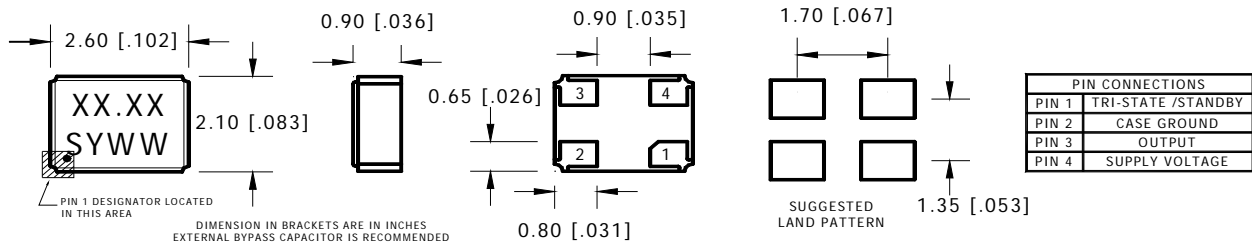


Part Number Guide

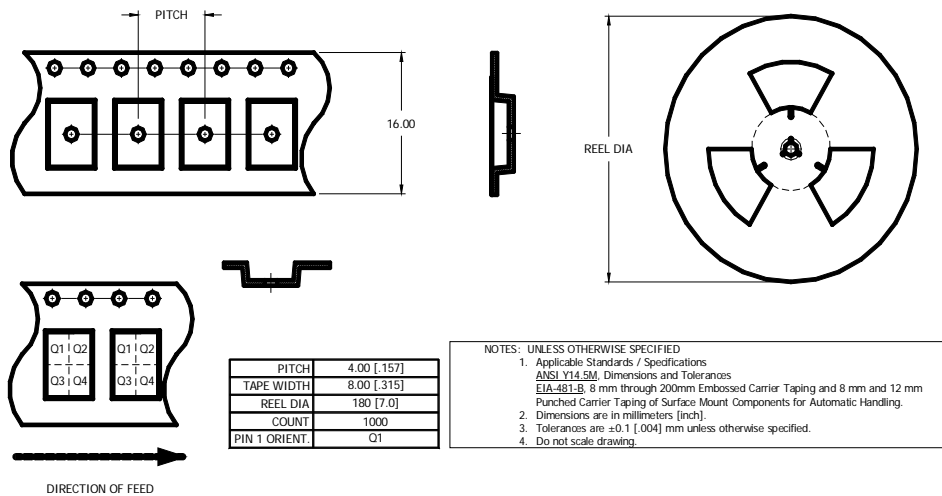


Please Consult with MMD Sales Department for any other Parameters or Options

Mechanical Details



Tape & Reel Dimensions



MMD Monitor/Quartztek
 30400 Esperanza, Rancho Santa Margarita, CA, 92688
 Phone: (949) 709-5075, Fax: (949) 709-3536, www.mmdcomp.com
 Sales@mmdcomp.com

