

MDH & MDT Series Oscillator



- Plastic 4 J-Lead Package
- HCMOS
- Tri-state Function
- Tape and Reel Package Available



Frequency	1.000MHZ to 125.000MHZ			
Frequency Stability (Inclusive of Temperature, Load and Voltage)	See Part Number Guide			
Aging @ +25°C	±5 ppm per year max			
Operating Temperature Range	See Part Number Guide			
Storage Temperature Range	-55°C to +125°C			
Output Waveform	TTL		HCMOS	
Supply Voltage (Vdd)	+3.3 VDC ±10%	+5.0 VDC ±10%	+3.3 VDC ±10%	+5.0 VDC ±10%
Supply Current (unloaded)	25mA	45mA	25mA	45mA
Load	5TTL or 30pF	10TTL or 50pF	15pF	30pF
Logic "0"	0.4V max		0.5V max	
Logic "1"	2.4.V min		Vdd-0.5V min	
Rise/Fall Time	4nSec max			
Start Up Time	10mSec max			
Duty Cycle	1.000MHZ to 66.000MHZ	45%/55% (TTL @ 1.4V Level / Cmos @ 50% Waveform)		
	66.000MHZ and above	40%/60% (TTL @ 1.4V Level / Cmos @ 50% Waveform)		
Jitter	1.000MHZ to 33.000MHZ	50pSec max (RMS)		50pSec max (RMS)
	33.000MHZ and above	30pSec max (RMS)		40pSec max (RMS)

Environmental & Mechanical Detail

Shock	MIL-STD-883, Method 2002 Cond B
Solderability	MIL-STD-883, Method 2003
Solvent Resistance	MIL-STD-202, Method 215
Vibration	MIL-STD-883, Method 2007, Cond A
Gross Leak Test	MIL-STD-883, Method 1014, Cond C

Marking Detail

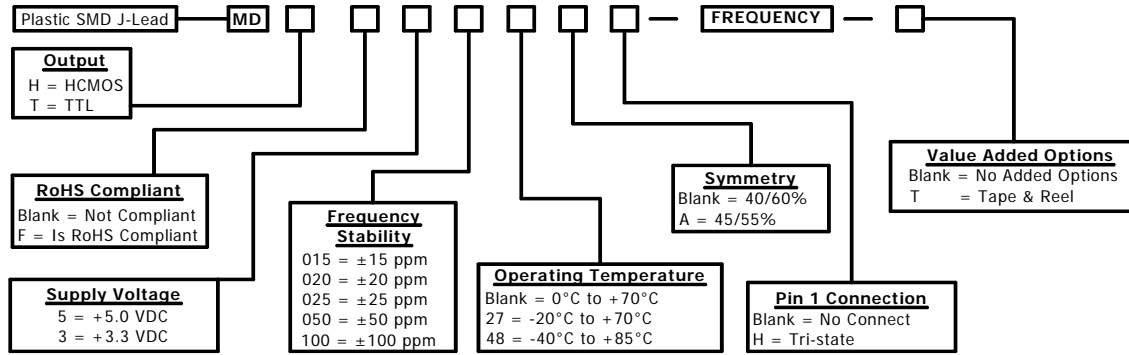
Line 1 = MXXXXX		
M	=	MMD
XXXXX	=	Frequency in MHZ
Line 2 = SYWWL		
S	=	Internal Code
YYWW	=	4 Numerical Digit Date Code (Year / Week)
L	=	Denotes RoHS Compliant
Line 3 = XXXXX		
Internal use only		
May vary with lots		
Pin 1 Designator		



MMD Monitor/Quartztek
 30400 Esperanza, Rancho Santa Margarita, CA, 92688
 Phone: (949) 709-5075, Fax: (949) 709-3536, www.mmdcomp.com
 Sales@mmdcomp.com

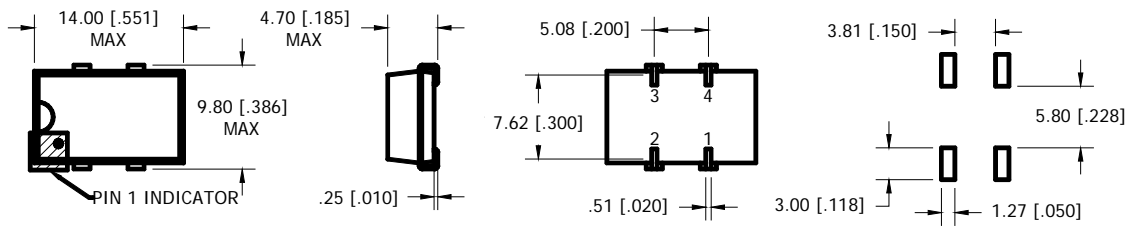


Part Number Guide



PLEASE CONSULT WITH MMD SALES DEPARTMENT FOR ANY OTHER PARAMETERS OR OPTIONS

Mechanical Details

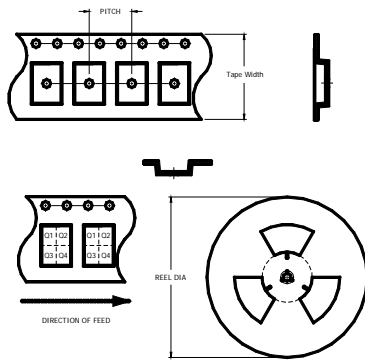


DIMENSION IN BRACKETS ARE IN INCHES
EXTERNAL BYPASS CAPACITOR IS RECOMMENDED

SUGGESTED
LAND PATTERN

PIN CONNECTIONS	
PIN 1	TRI-STATE
PIN 2	CASE GROUND
PIN 3	OUTPUT
PIN 4	SUPPLY VOLTAGE

Tape & Reel Dimensions



PITCH	12.00 [.471]
TAPE WIDTH	24.00 [.945]
REEL DIA	330 [13.0]
PIN 1 ORIENT.	Q1

NOTES: UNLESS OTHERWISE SPECIFIED

1. Applicable Standards / Specifications
ANSI Y14.5M, Dimensions and Tolerances
EIA-481-B, 8 mm through 200mm Embossed Carrier Taping and 8 mm and 12 mm Punched Carrier Taping of Surface Mount Components for Automatic Handling.
2. Dimensions are in millimeters [inch].
3. Tolerances are ±0.1 [.004] mm unless otherwise specified.
4. Do not scale drawing.



MMD Monitor/Quartztek
30400 Esperanza, Rancho Santa Margarita, CA, 92688
Phone: (949) 709-5075, Fax: (949) 709-3536, www.mmdcomp.com
Sales@mmdcomp.com

